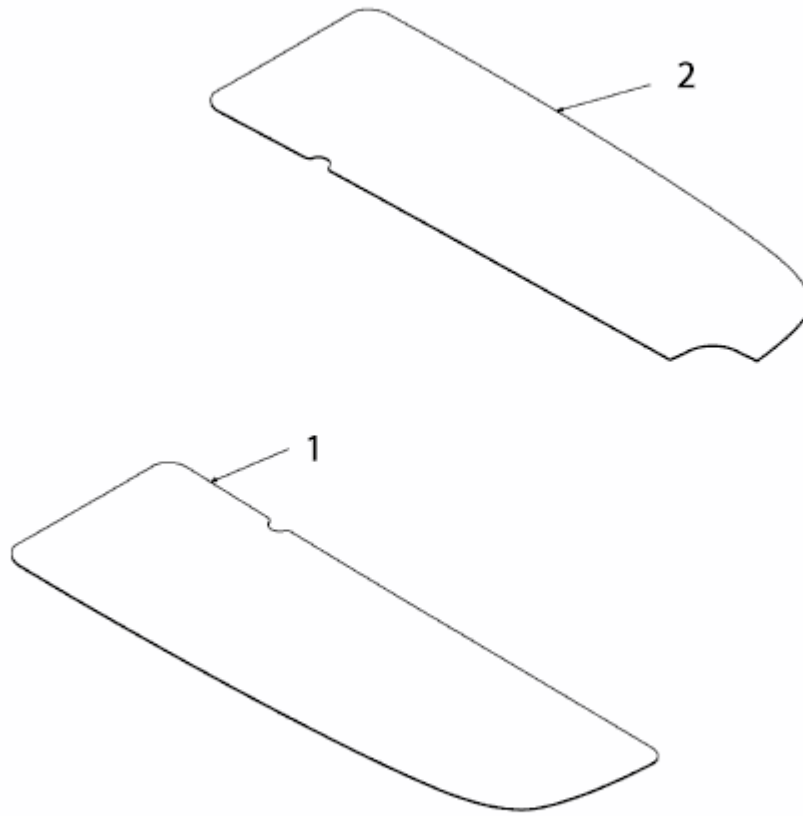


---

638 RL > 13AM762F052 (2009) > TRITTBRETTBELAG



E3-02721A-01