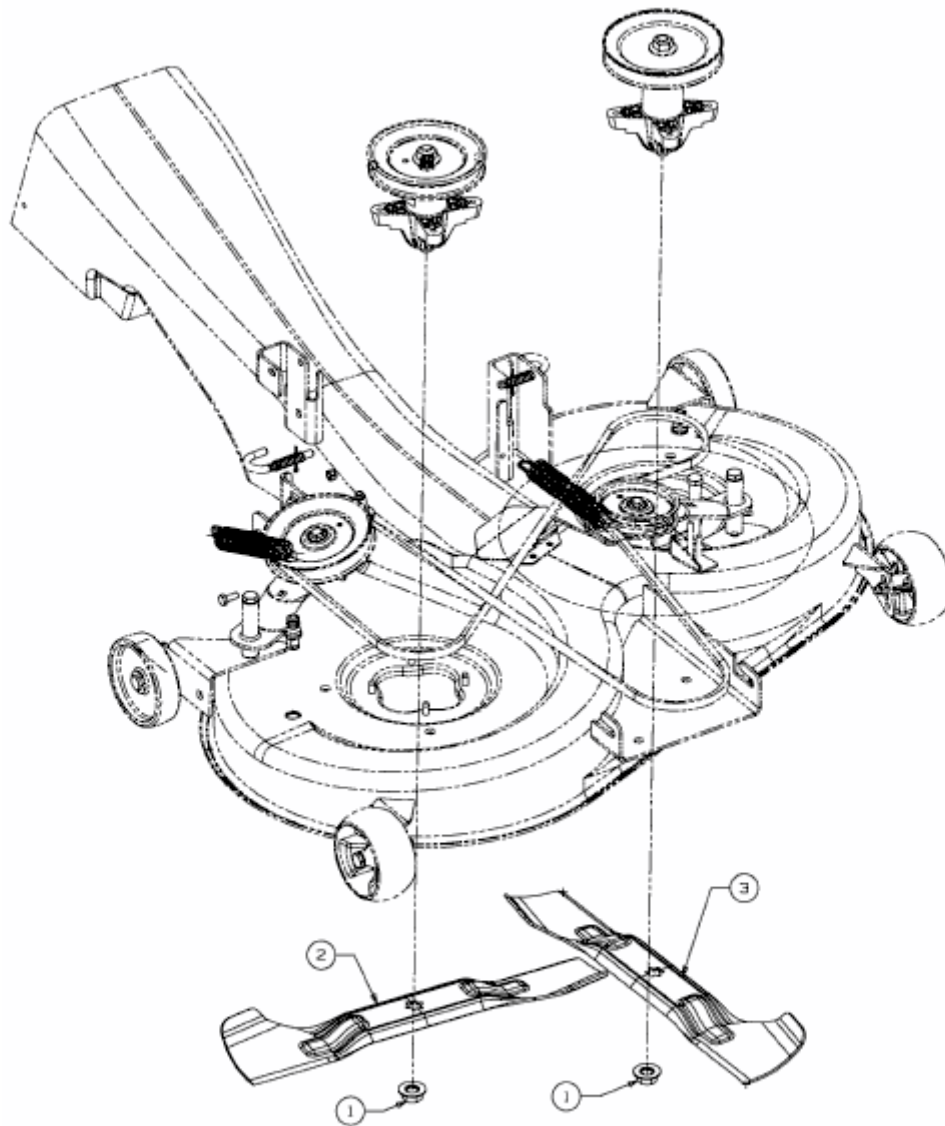


MASTERCUT 105 > 13AM760N459 (2008) > HIGH LIFT MESSER



E3-03077A-01