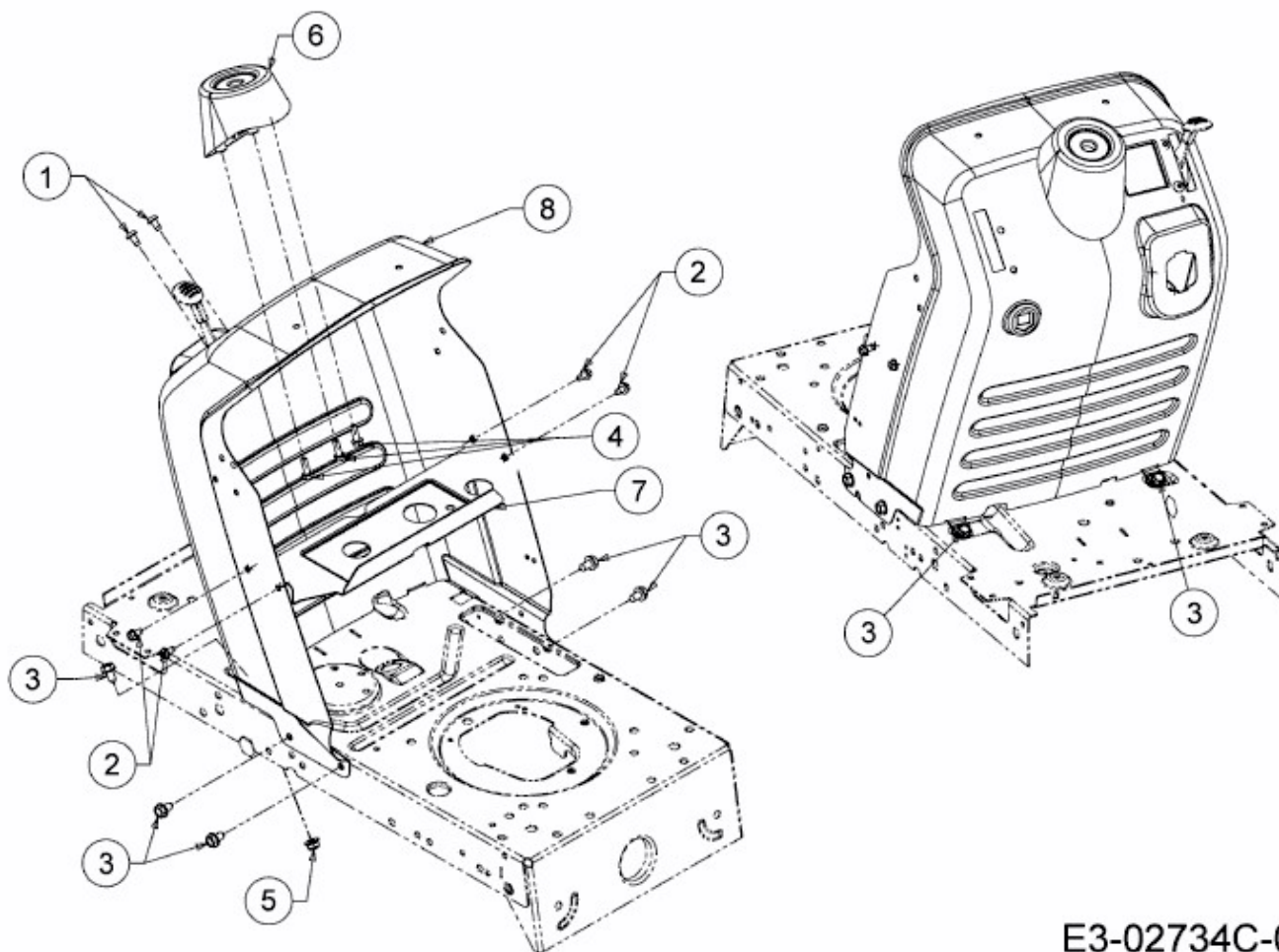


155/107 T > 13AM760G615 (2009) > ARMATURENBRETT



E3-02734C-01