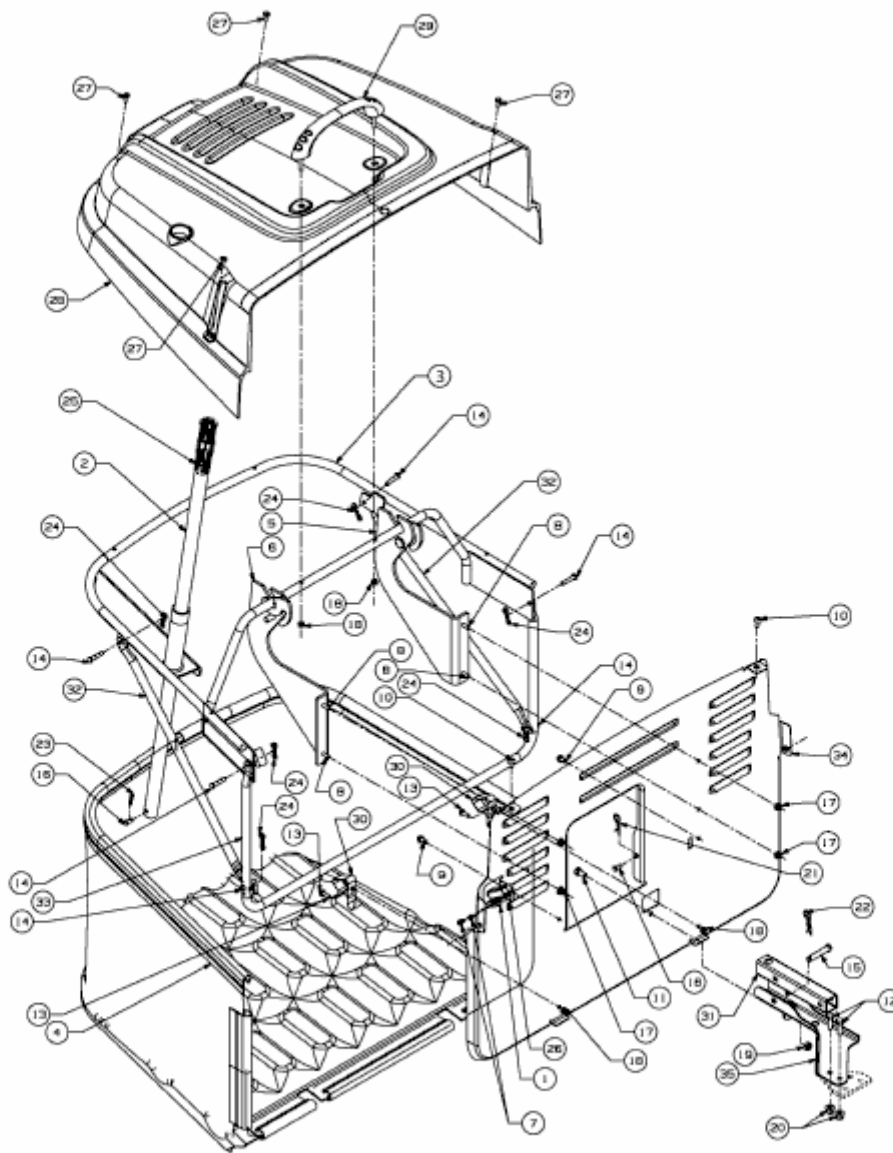


P 155 HE > 13AM713E678 (2010) > GRASFANGVORRICHTUNG



E3-03879B-01