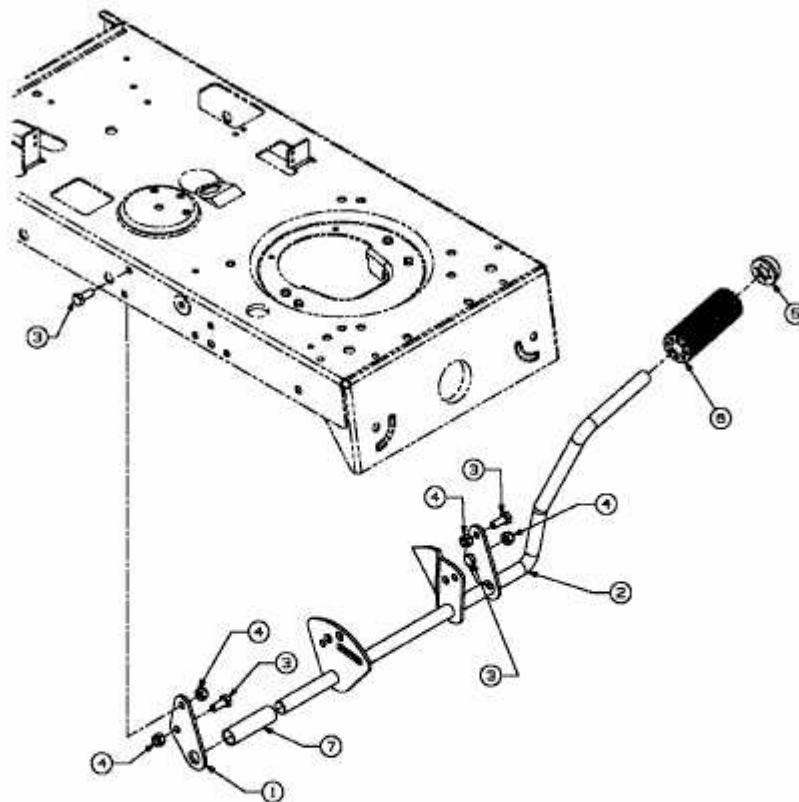


155/107 > 13AM660G752 (2004) > PEDALE



E3-02332A-01