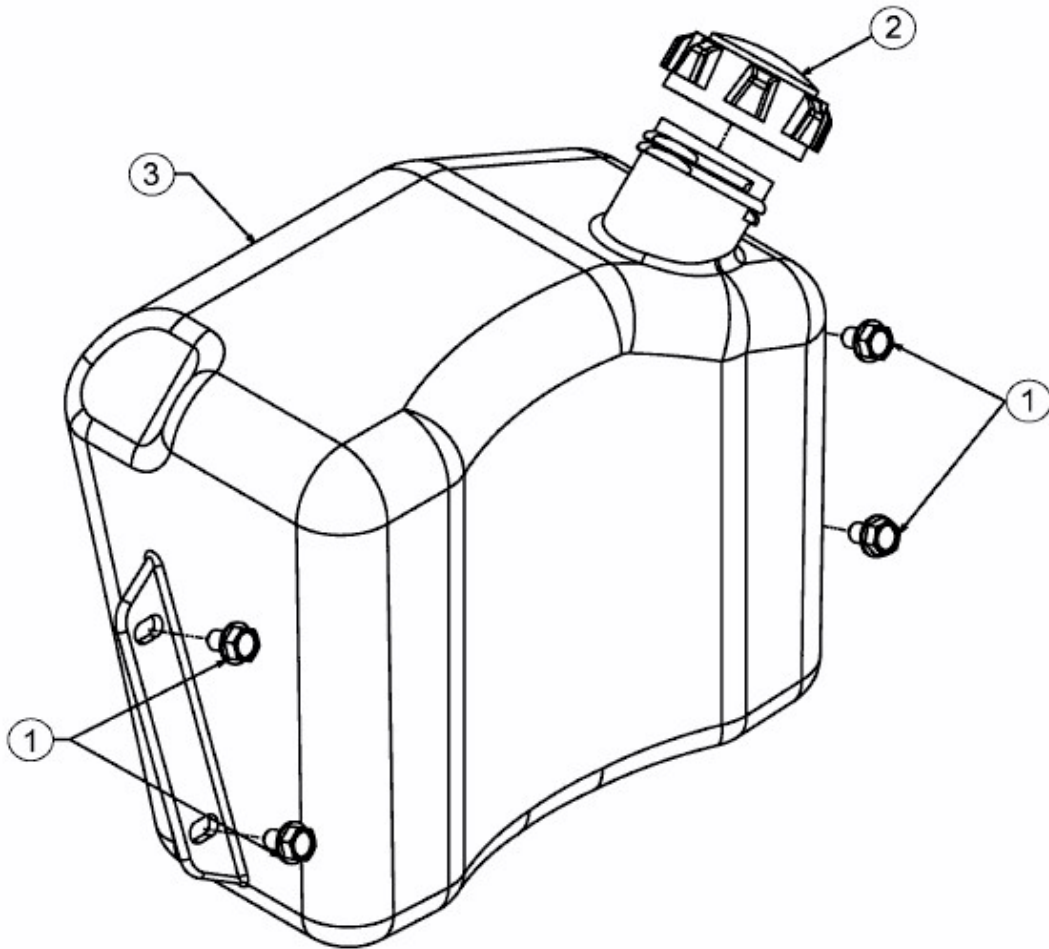


GL 15,5-105 H > 13AM493N640 (2009) > TANK



E3-02020A-01