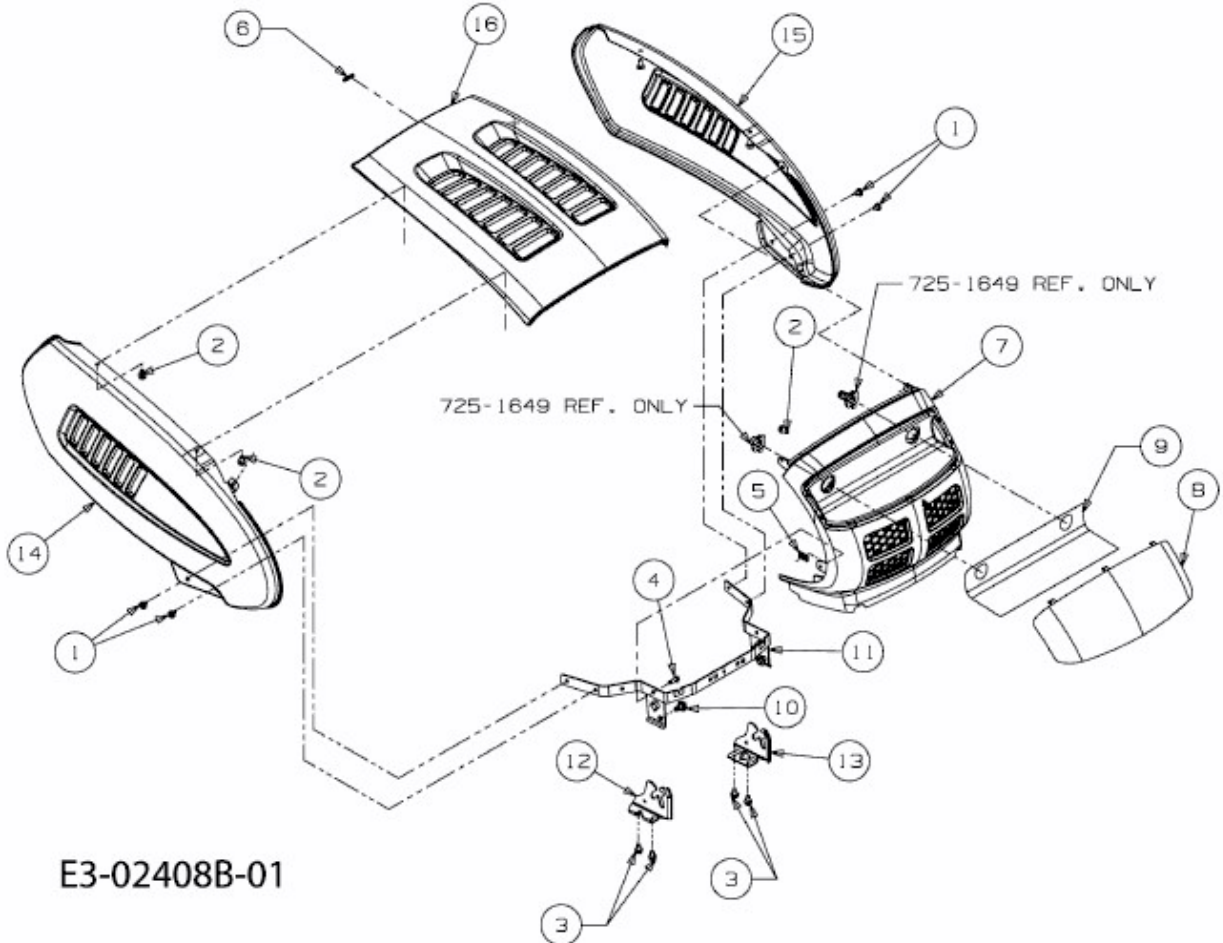


GL 15,5-105 H > 13AM493N640 (2009) > MOTORHAUBE 3-STYLE



E3-02408B-01