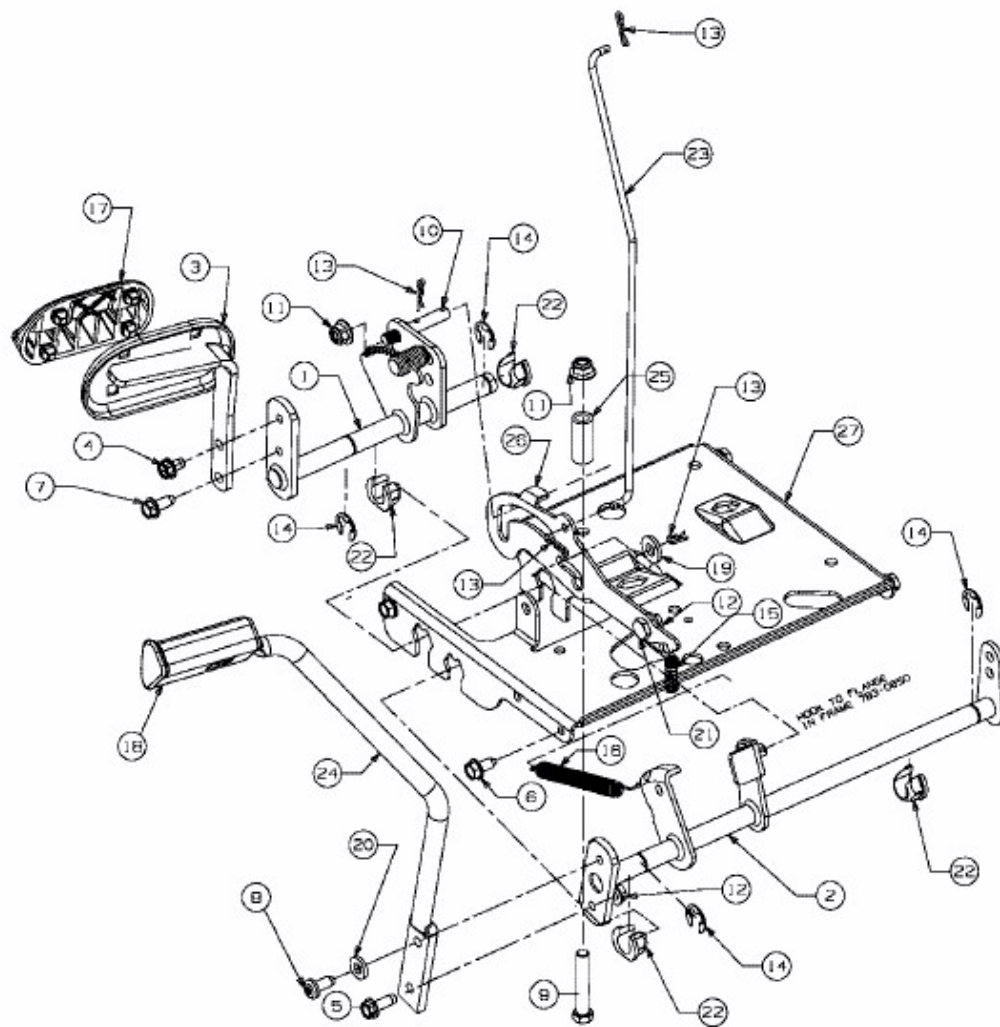


155/92 > 13AM487E615 (2008) > PEDALE



E3-02031C-01