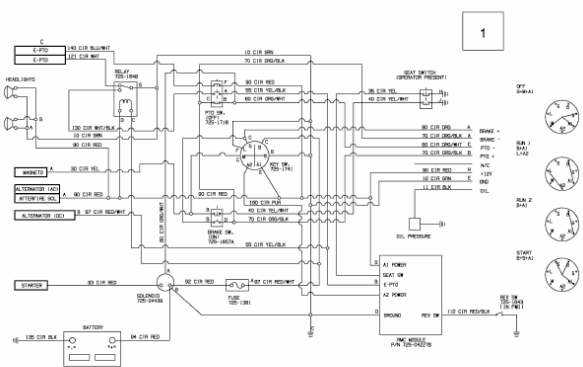


MASPORT 42 > 13AL93GS319 (2015) > SCHALTPLAN



E3-02896B-02