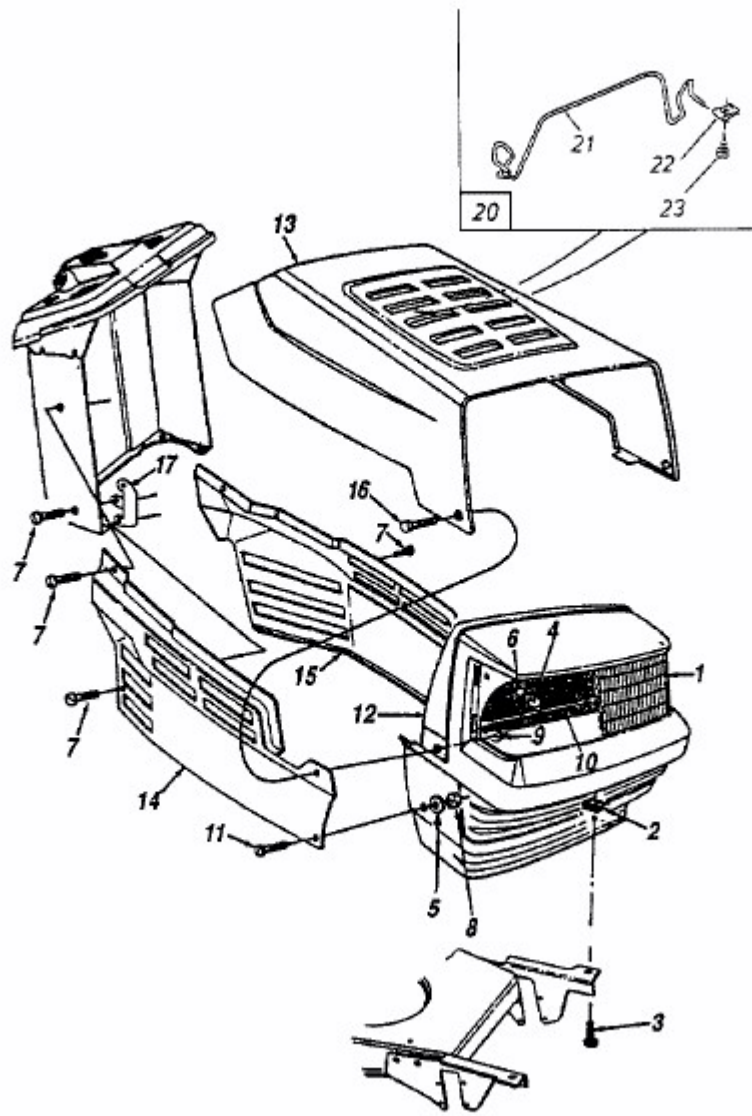


B 12596 > 13AL475F608 (1999) > MOTORHAUBE 5-STYLE



E3-01387A-01