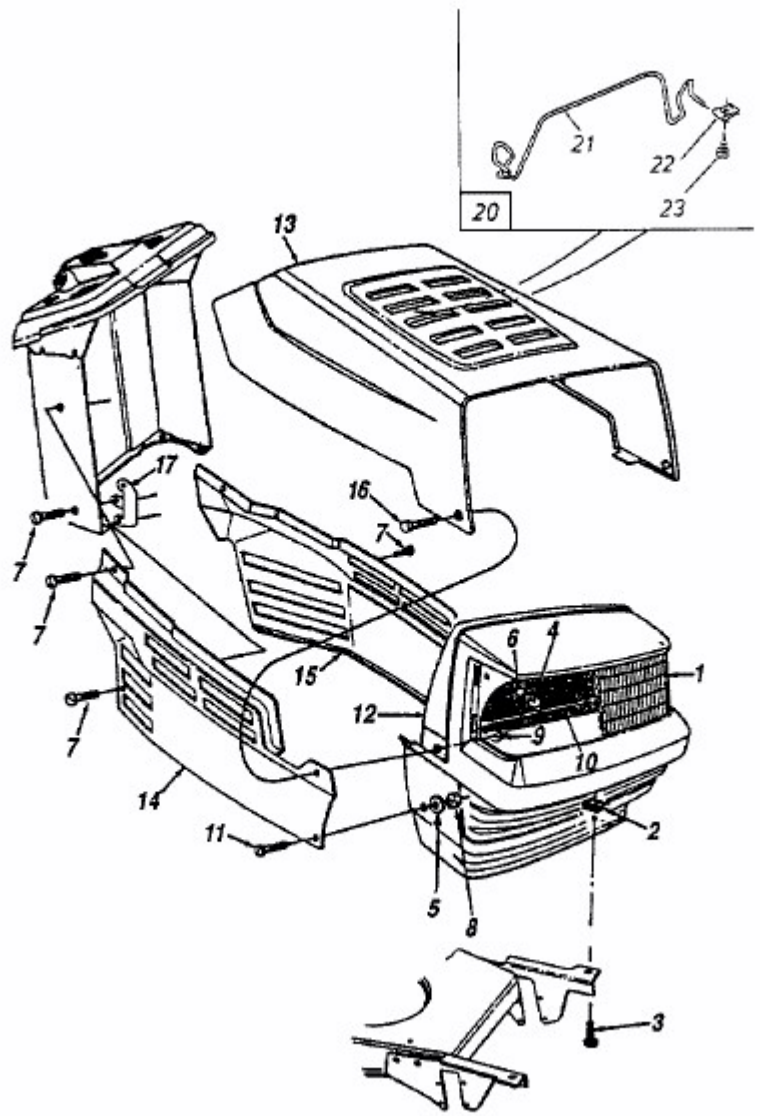


A 12576 > 13AL475A608 (1999) > MOTORHAUBE 5-STYLE



E3-01387A-01