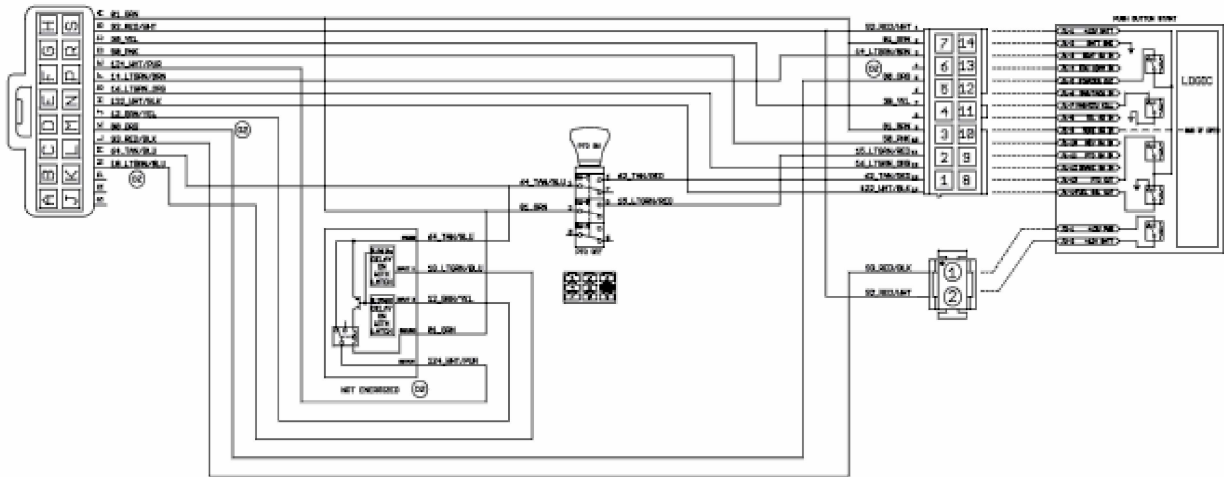


MAIN HARNESS  
CONNECTION 1



E3-10086A-04