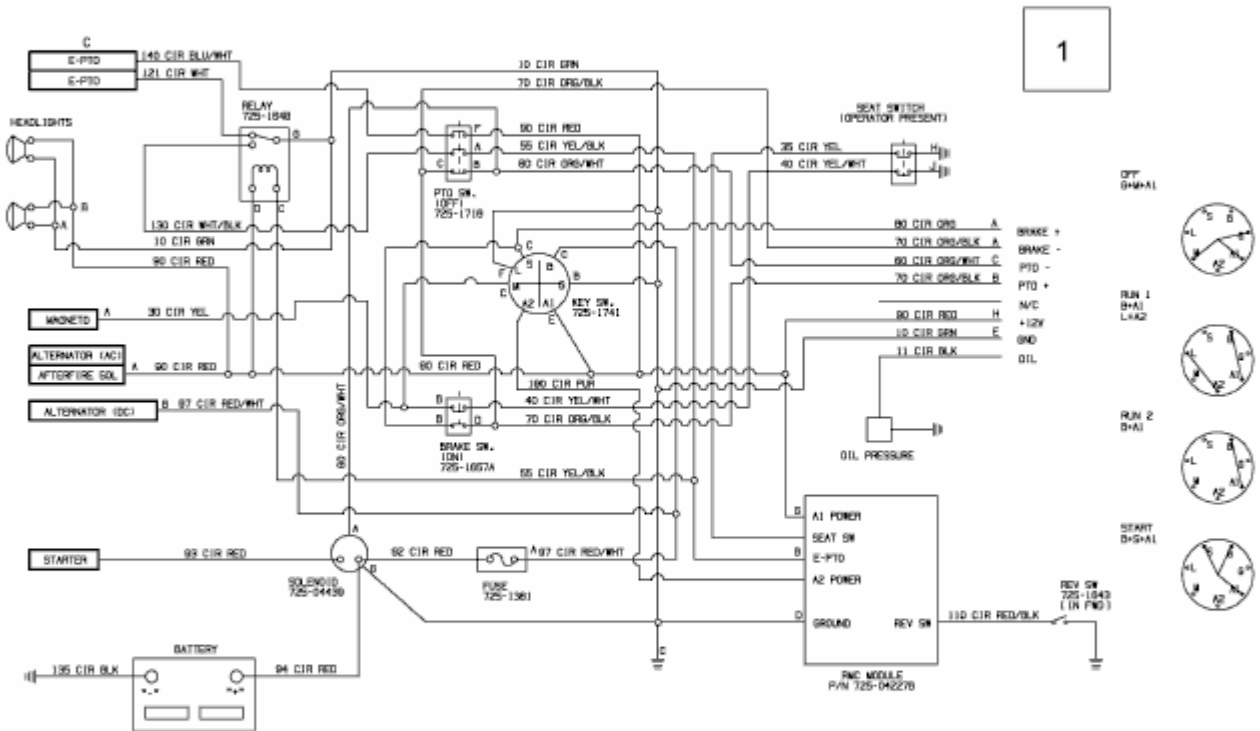


LTX 1050 KW > 13AI93AP330 (2015) > SCHALTPLAN



E3-07598D-02