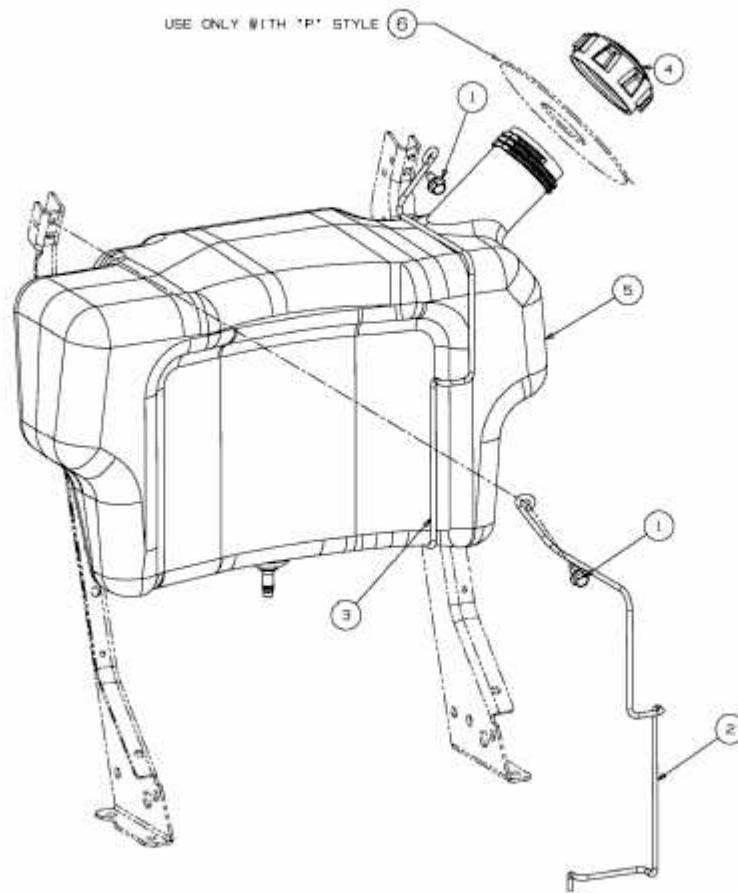


EXPERT 122.240 H > 13AI91WJ650 (2012) > TANK 2,75 GAL



E3-04528C-01