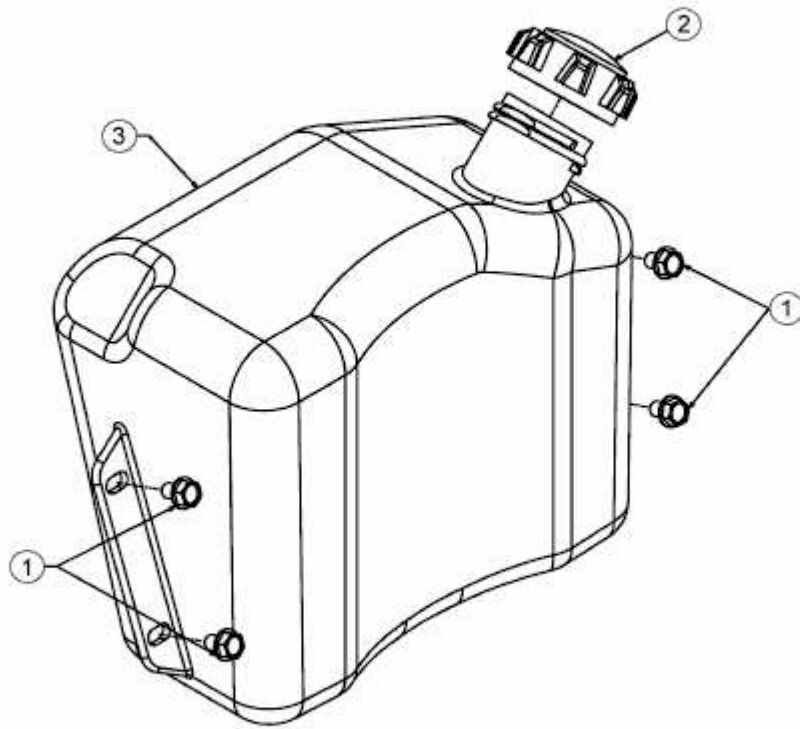


24/105 H > 13AI913N686 (2012) > TANK



E3-02020A-01