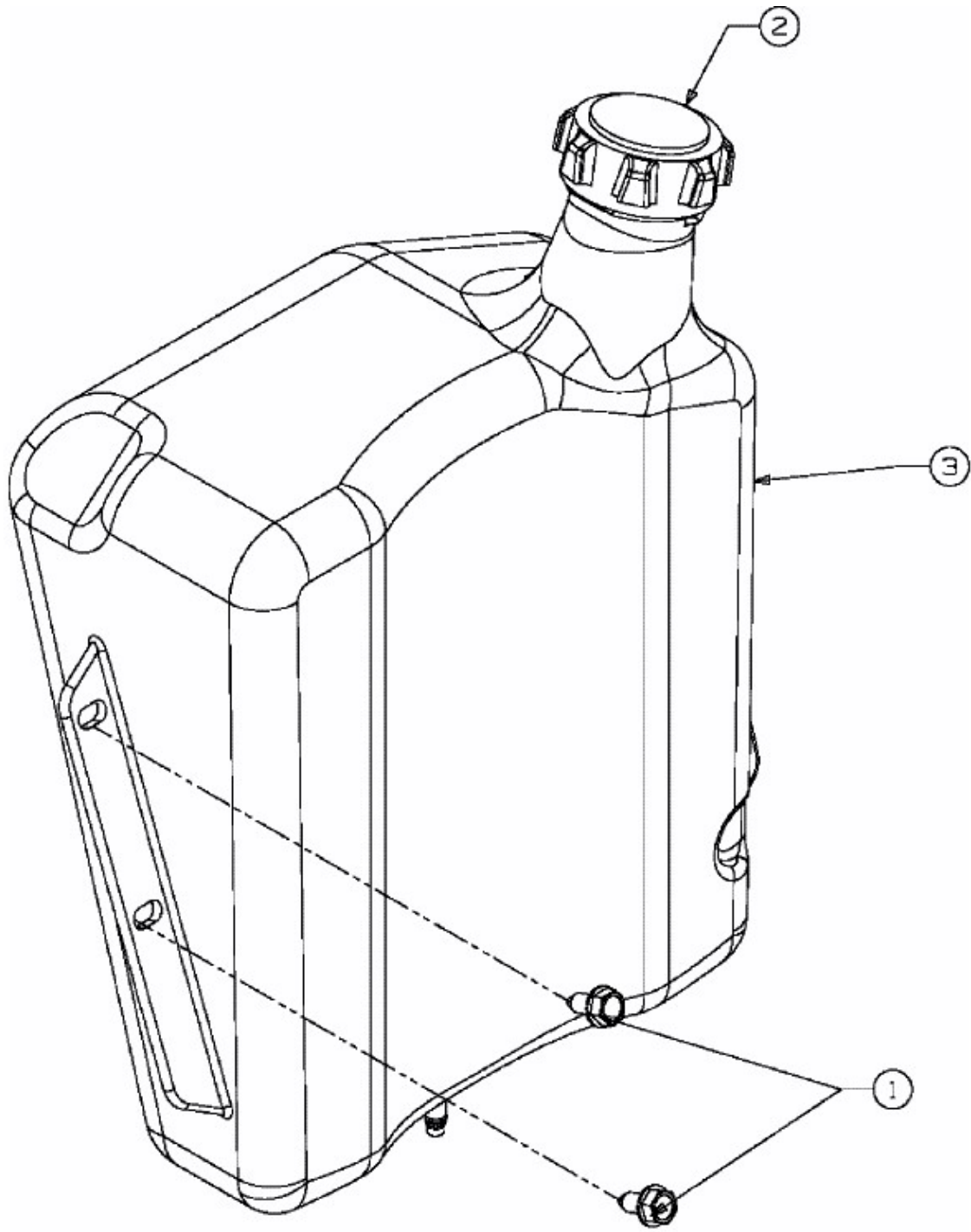


DLX 107 SHLK > 13AI616G690 (2007) > TANK 3 GAL



E3-02906A-01