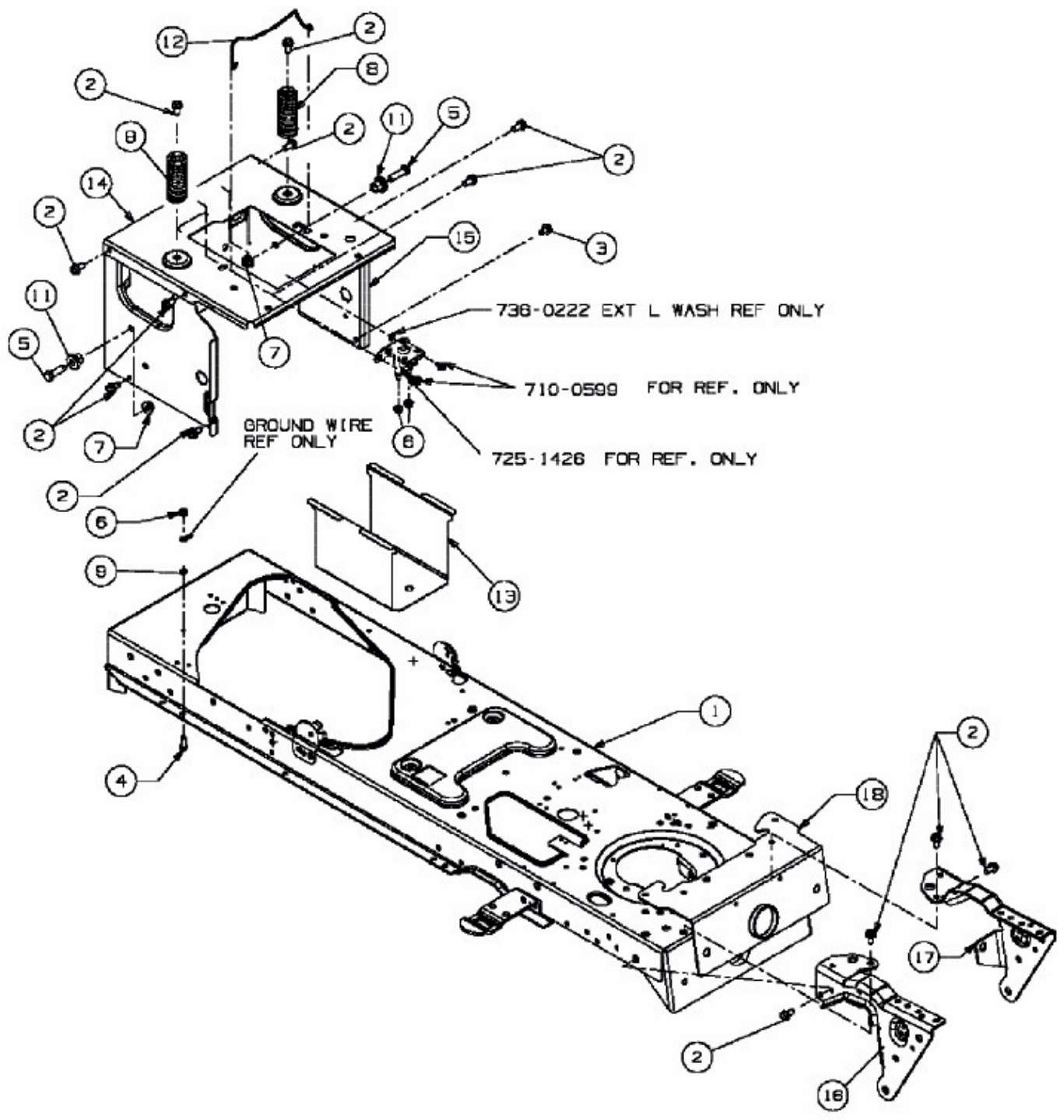


DLX 107 SHLK > 13AI616G690 (2007) > RAHMEN



E3-02212B-01