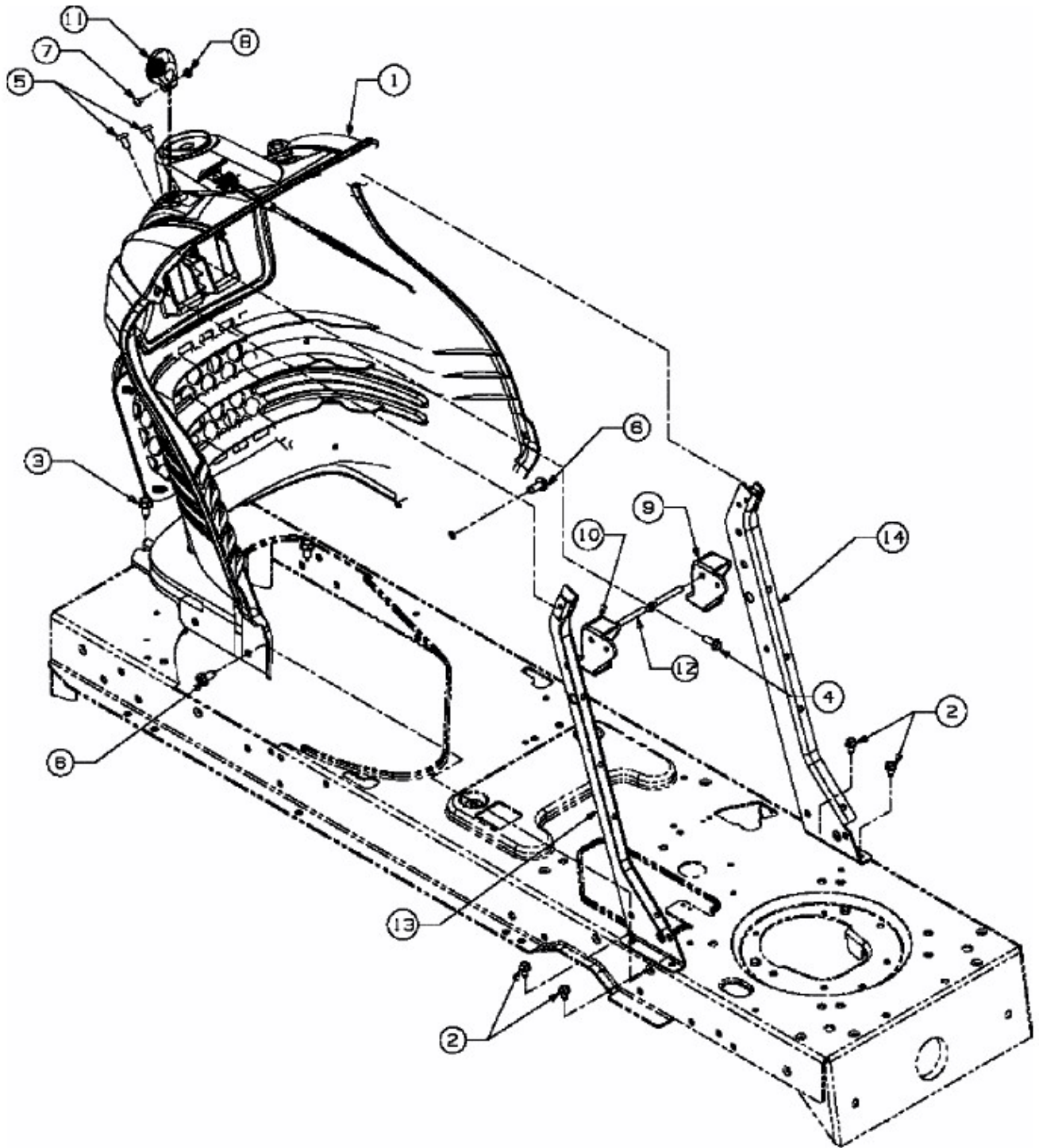


DLX 107 SHLK > 13AI616G690 (2007) > ARMATURENBRETT



E3-02693A-01