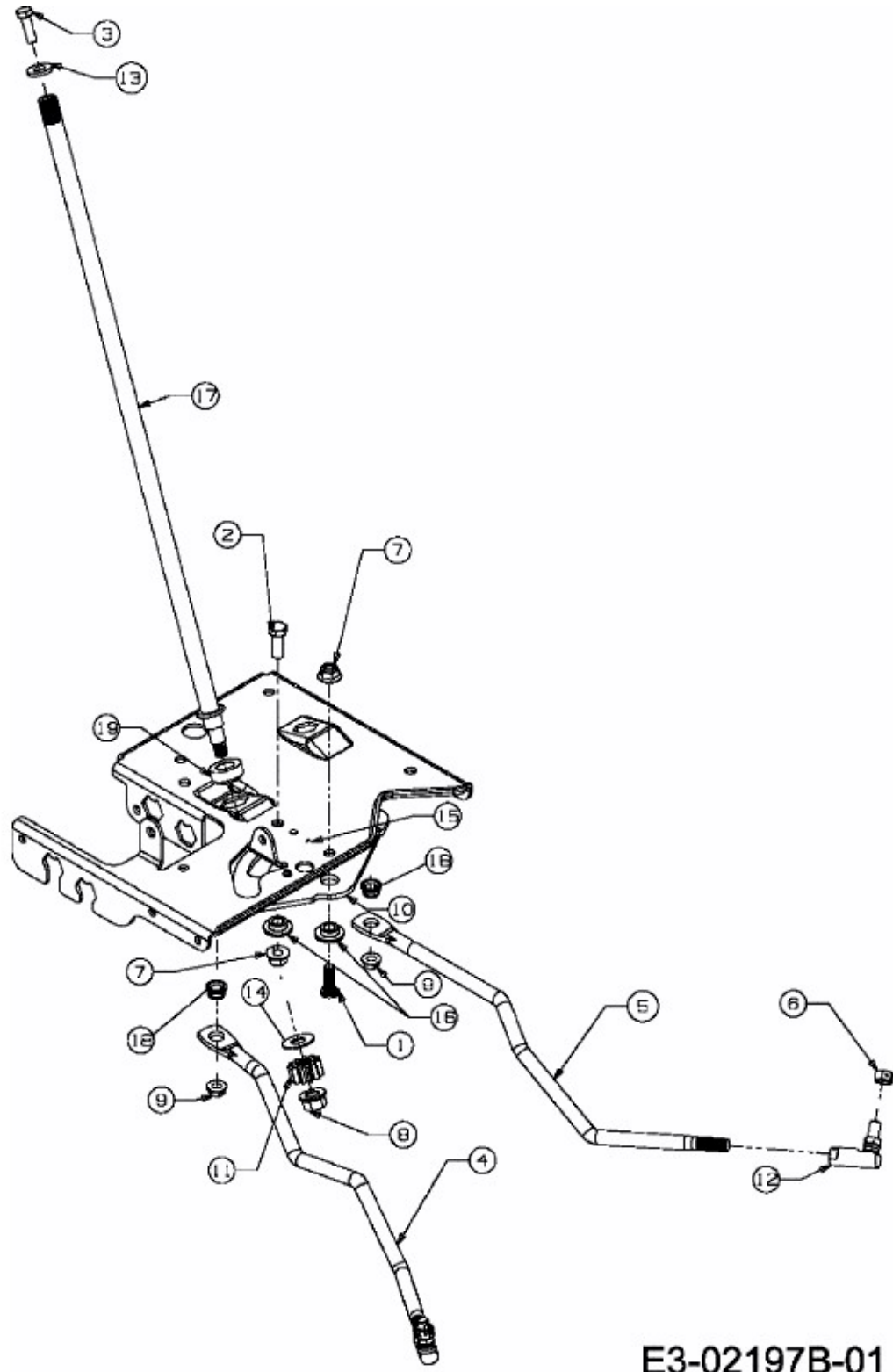


DLX 107 SHLK > 13AI616G690 (2007) > LENKUNG



E3-02197B-01