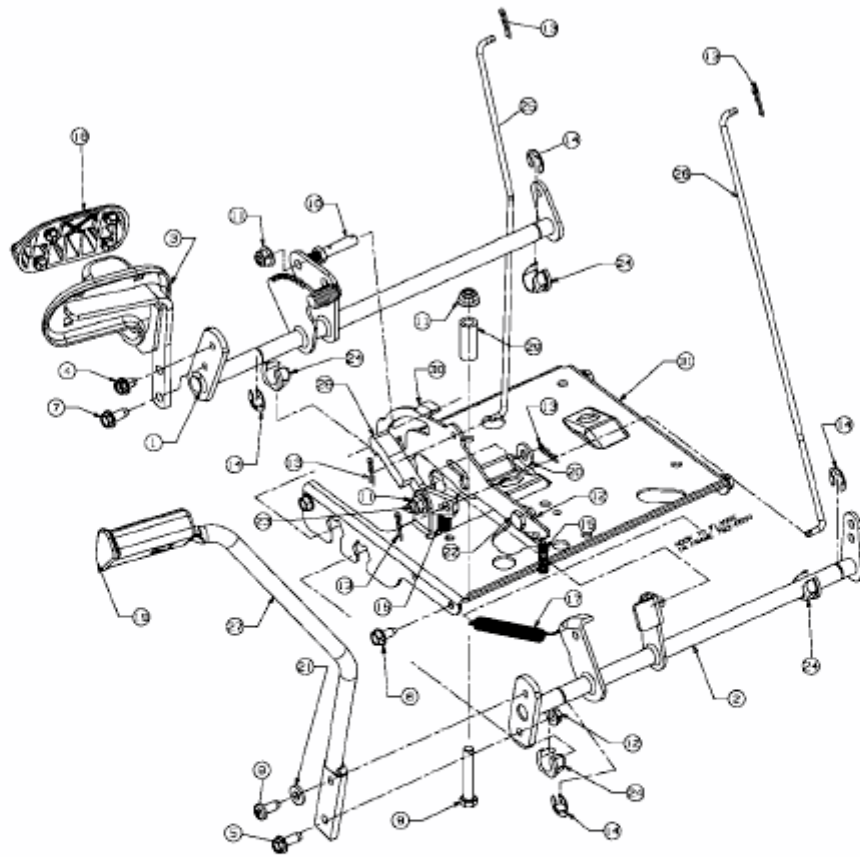


J 5250 K > 13AI514J643 (2008) > PEDALE



E3-02032C-01