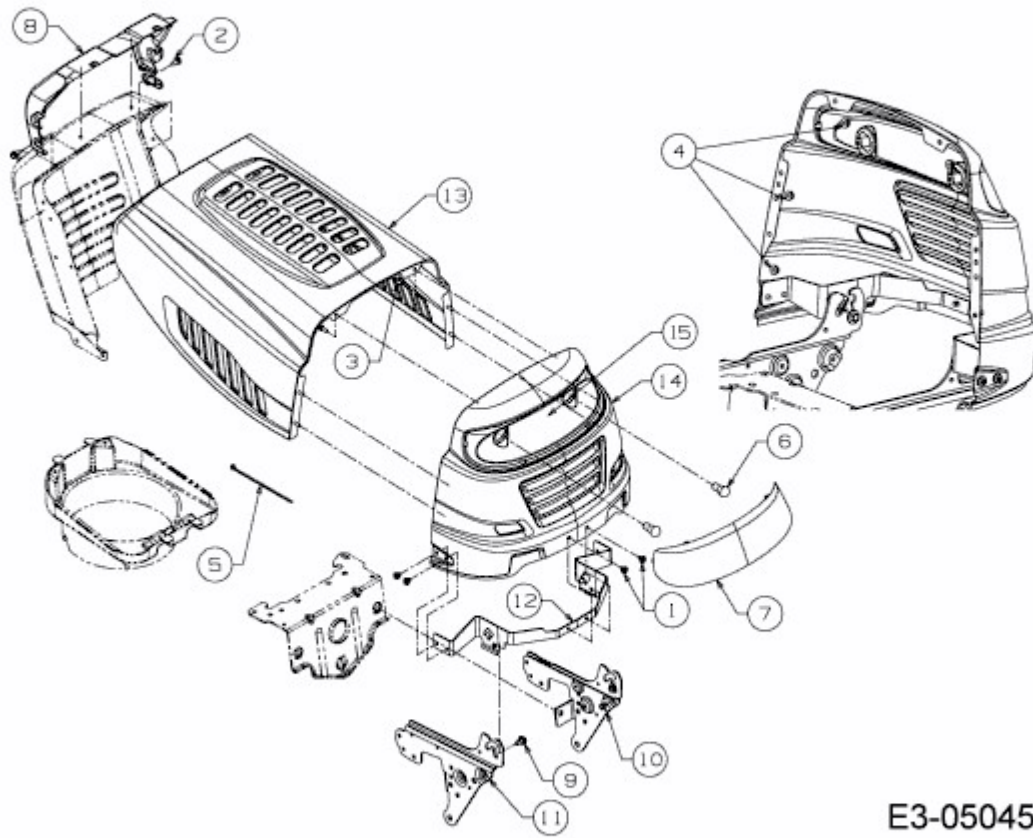


BL 135/92 AT > 13AH785E684 (2009) > MOTORHAUBE 5-STYLE



E3-05045A-01