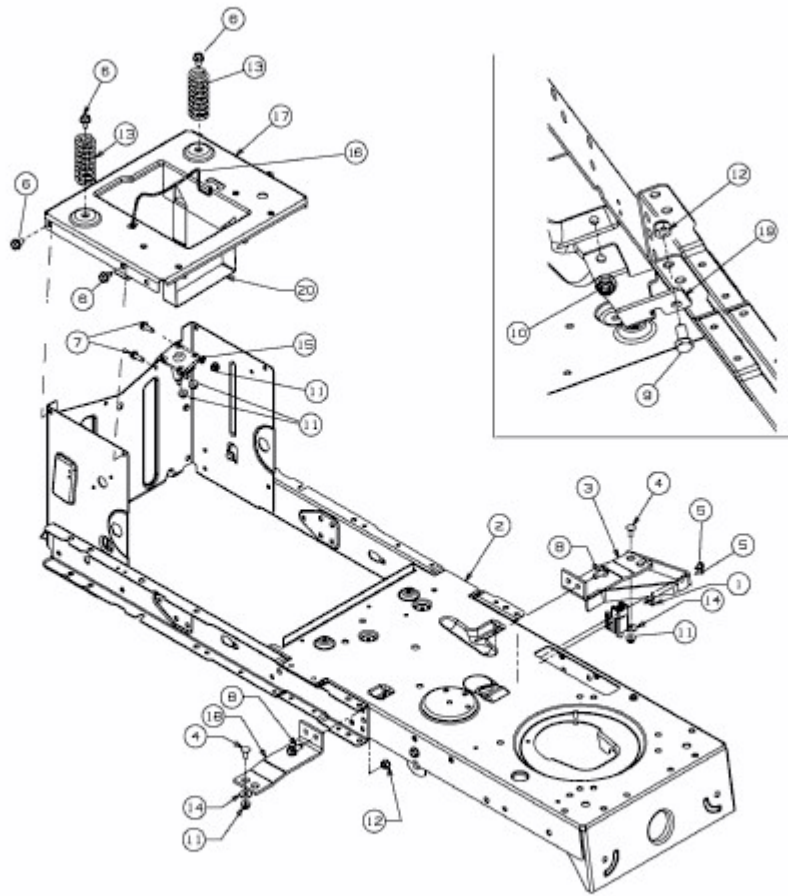


FORMULA 97/13.5 T > 13AH779F637 (2007) > RAHMEN



E3-02717B-01