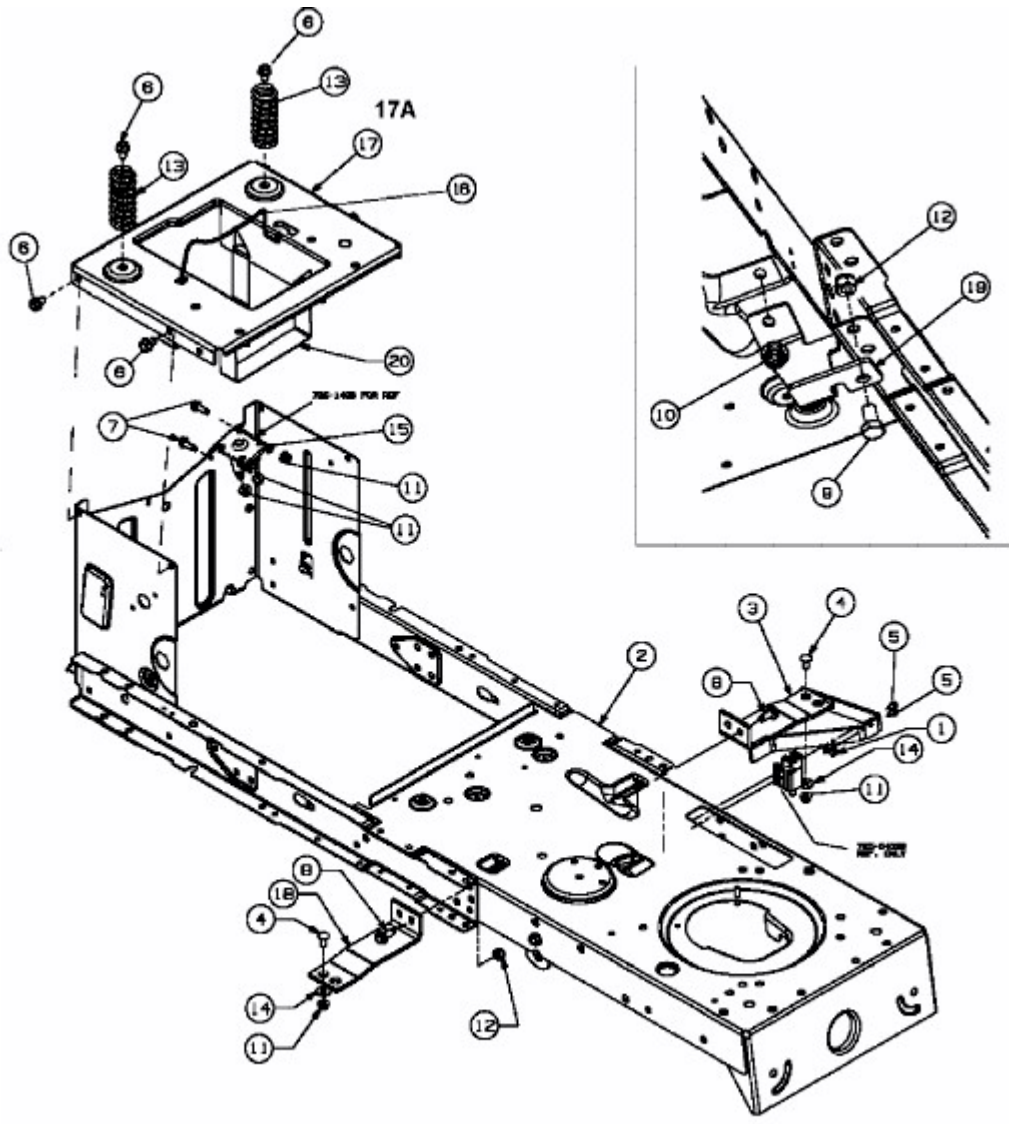


FORMULA 97/13.5 T > 13AH779F637 (2006) > RAHMEN



E3-02717A-01