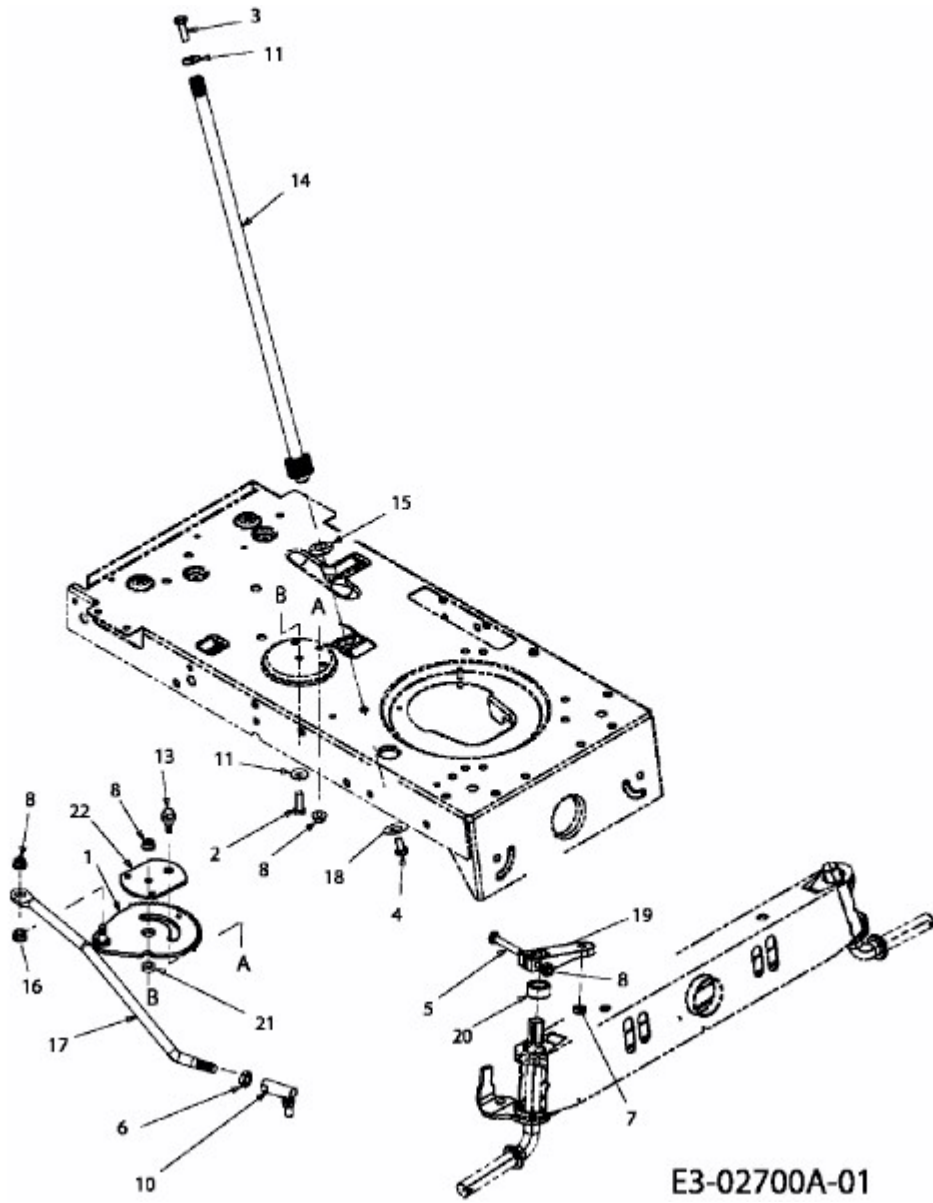


FORMULA 97/13 T > 13AH779F437 (2008) > LENKUNG



E3-02700A-01