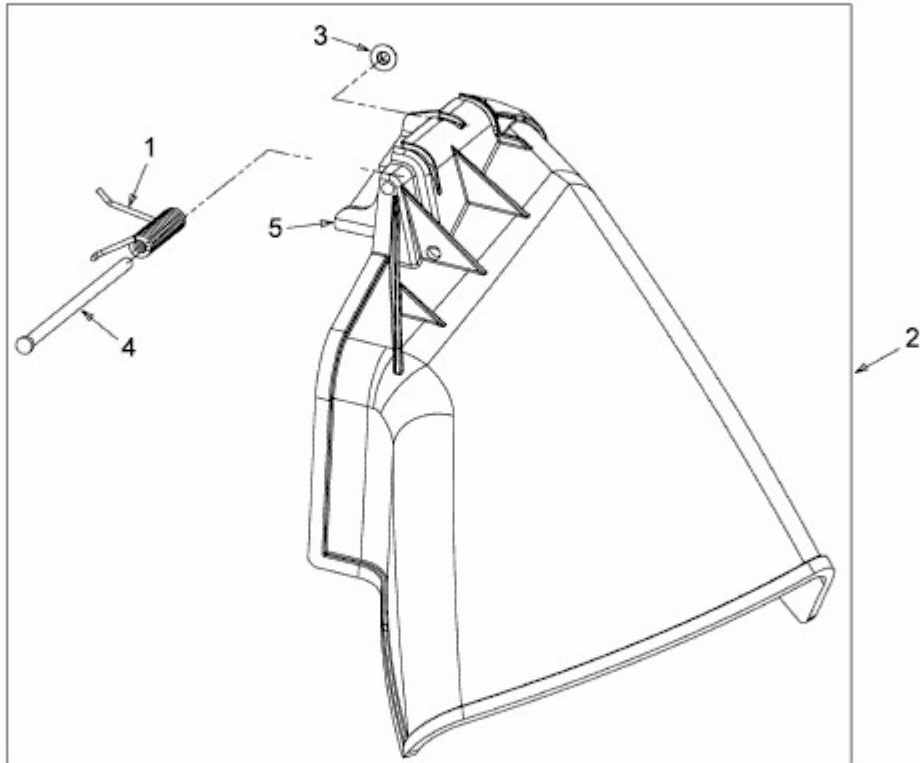


FORMULA 97/13 T > 13AH779F437 (2008) > DEFLEKTOR



E3-02744A-01