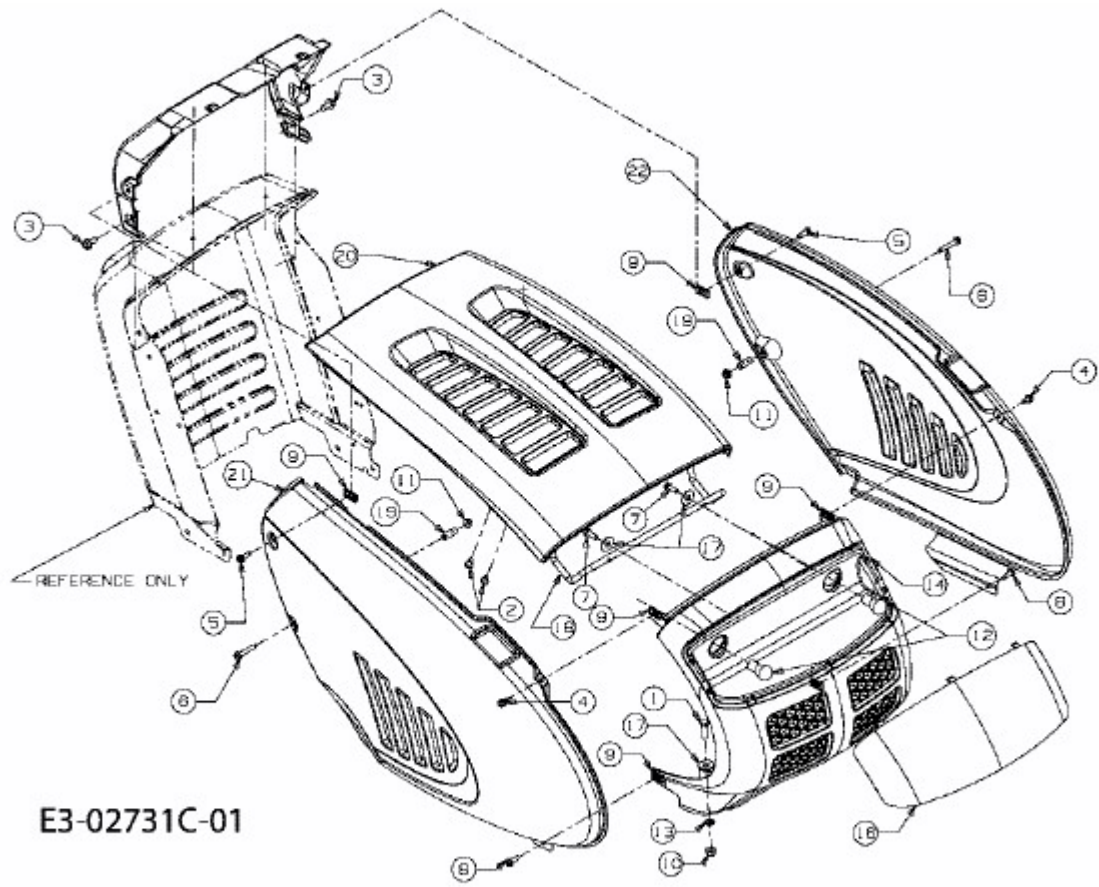


FORMULA 97/13 T > 13AH779F437 (2008) > MOTORHAUBE 9-STYLE



E3-02731C-01