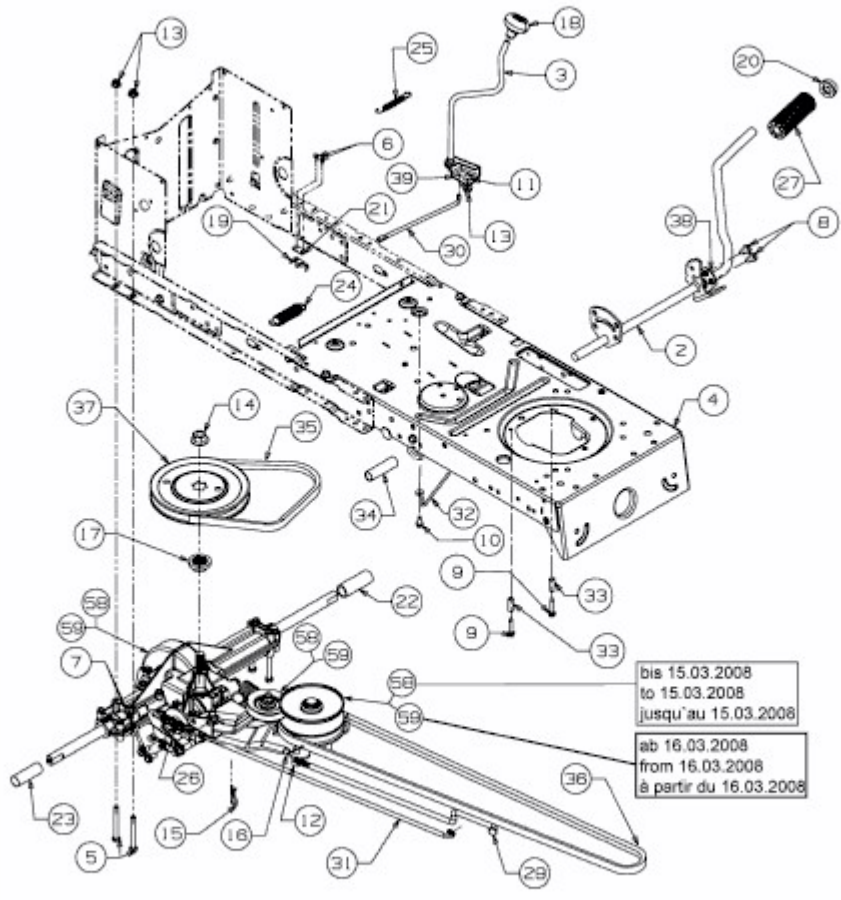


FORMULA 97/13 T > 13AH779F437 (2008) > FAHRANTRIEB



E3-02723C-01