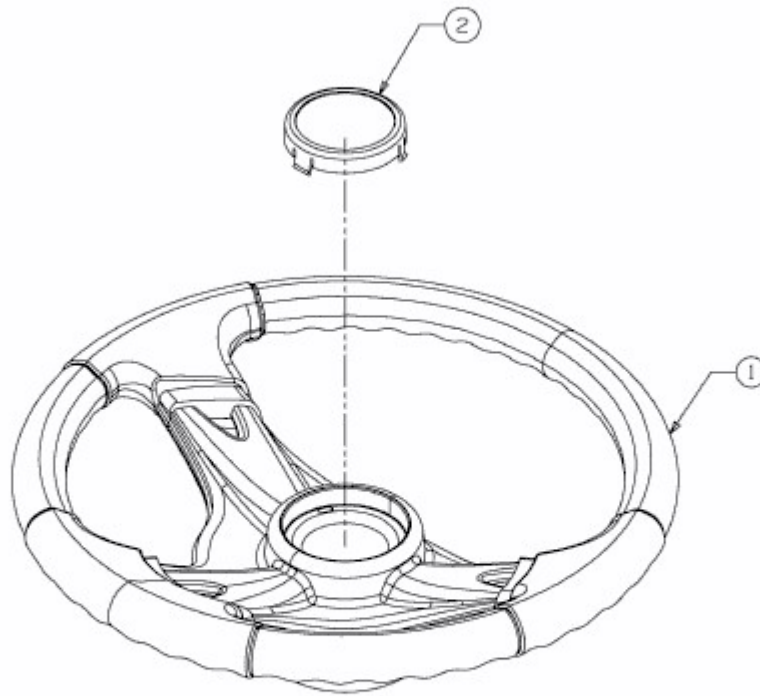


FORMULA 97/13 T > 13AH779F437 (2008) > LENKRAD



E3-02015A-01