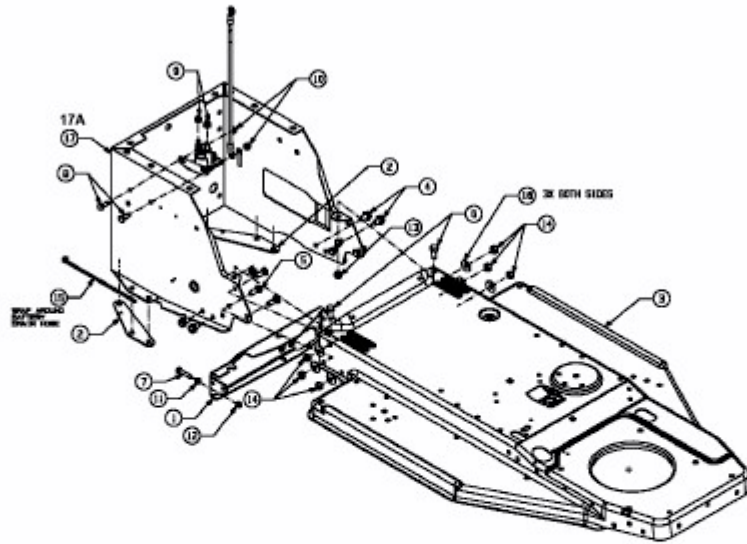


FORMULA 96 M > 13DH479F637 (2005) > RAHMEN



E3-02094A-01