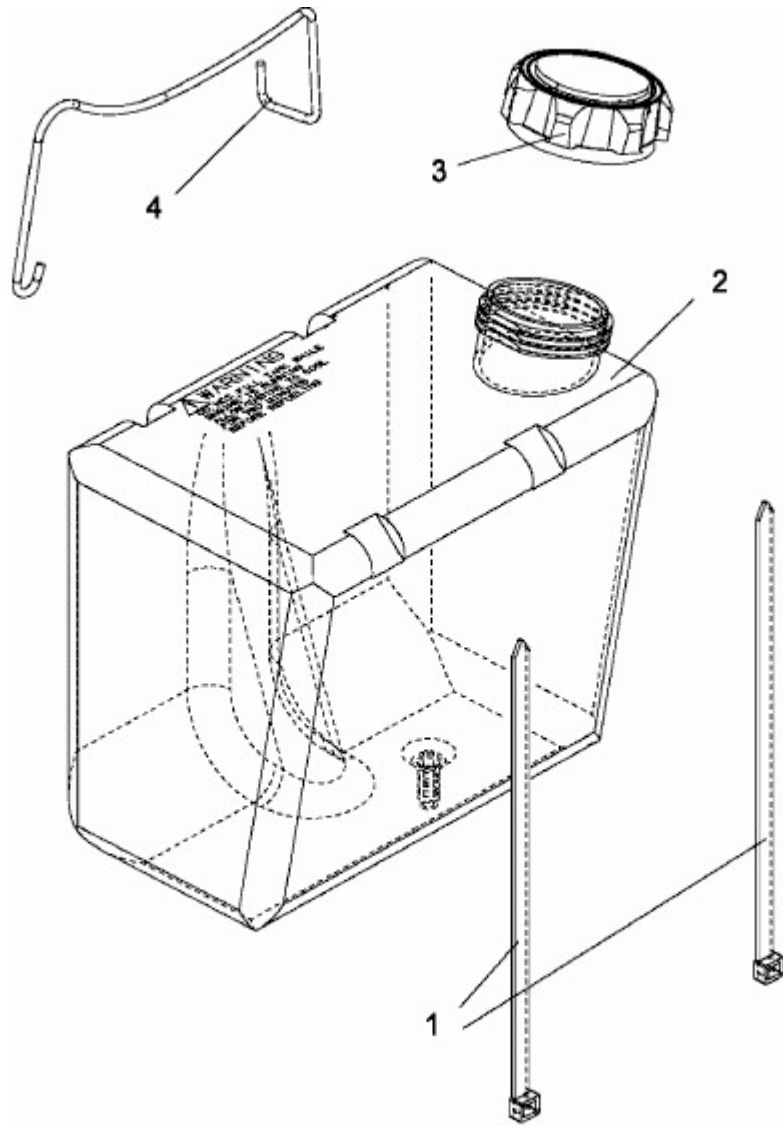


EP 135/96 > 13AH779F408 (2007) > BATTERIEHALTER, TANK



E3-02736B-01