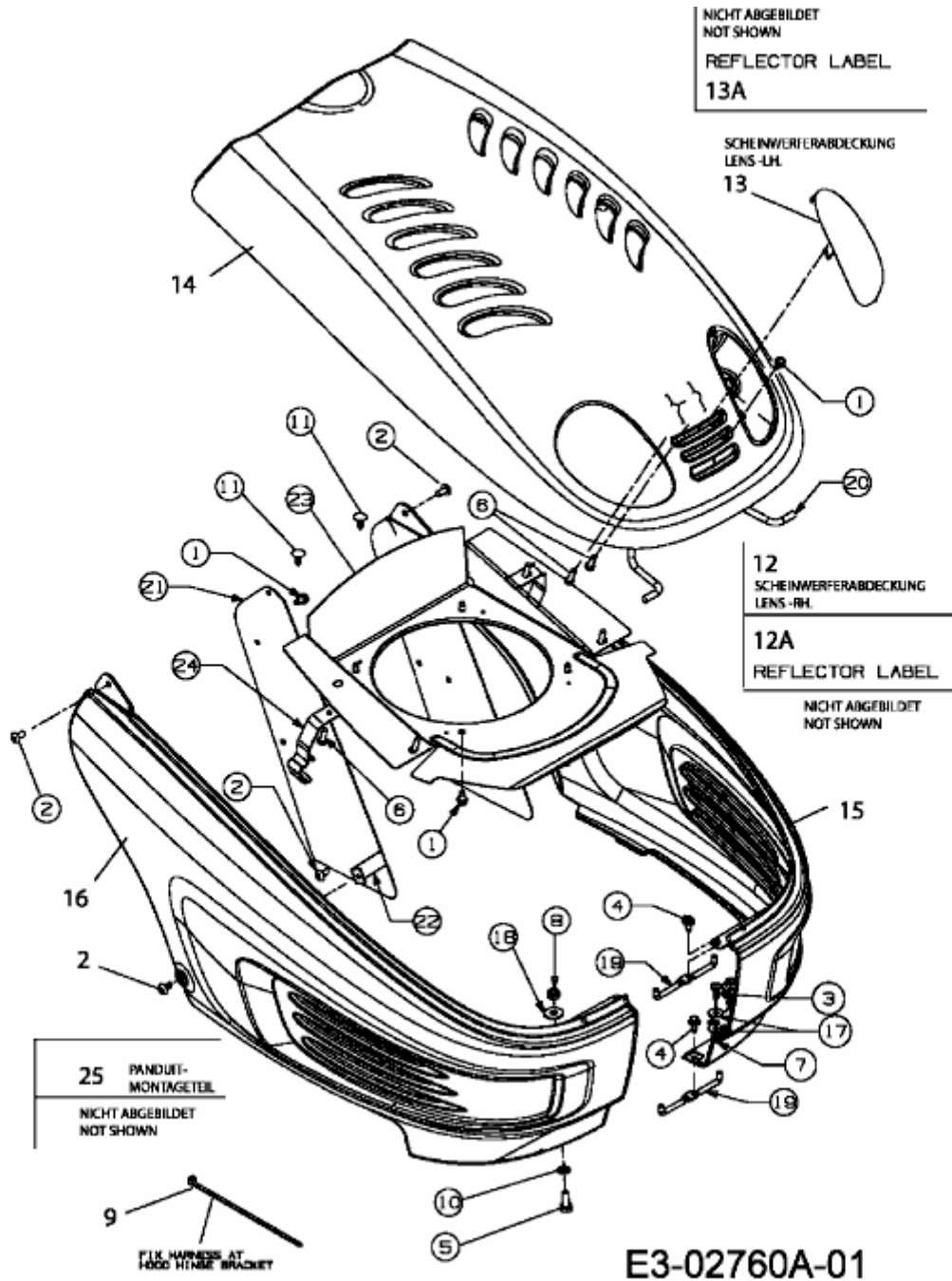


TF 7135 > 13AH774F643 (2008) > MOTORHAUBE 4-STYLE



E3-02760A-01