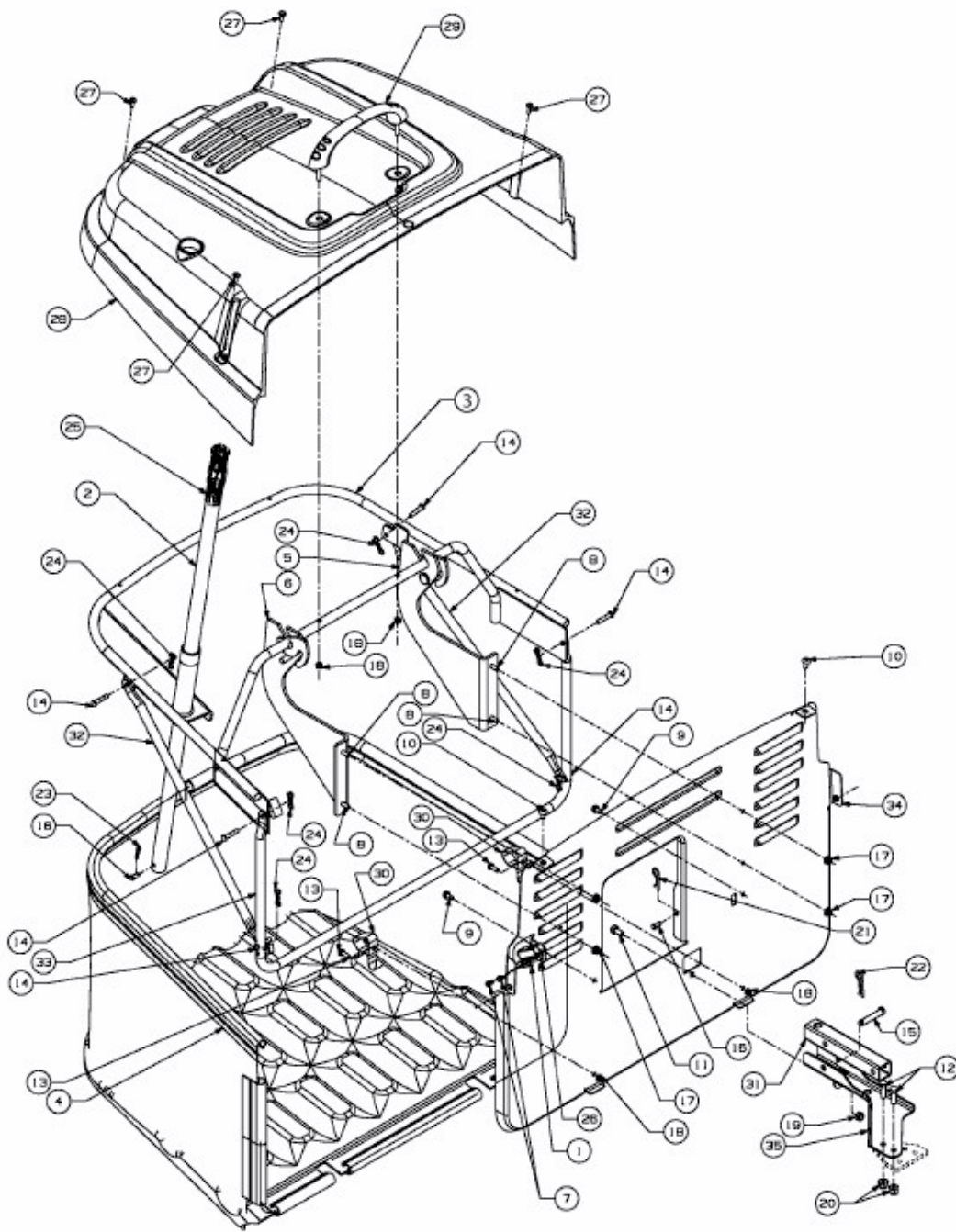


AT 1150/10 > 13AH761E639 (2010) > GRASFANGVORRICHTUNG



E3-03879B-01