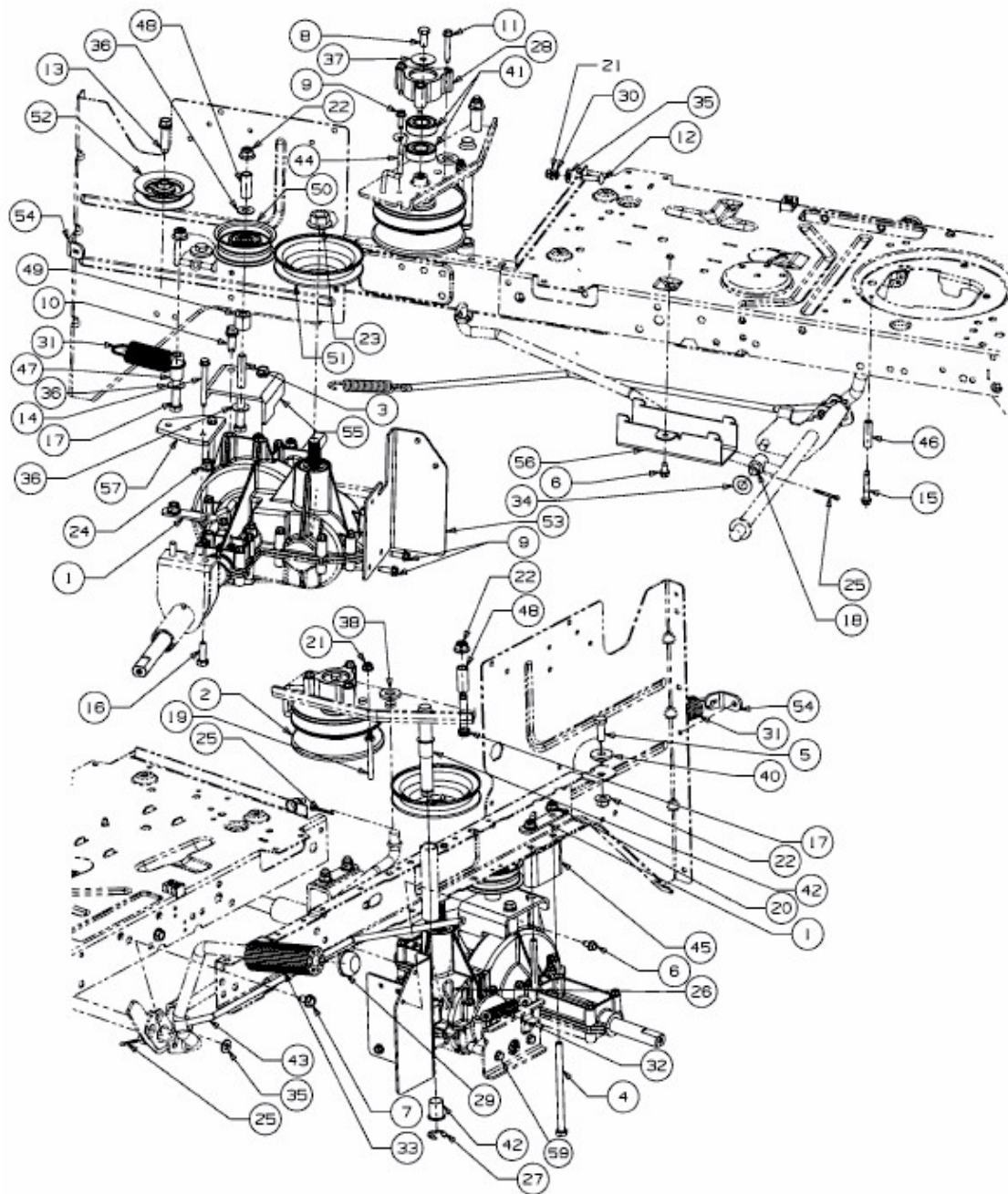


AT 1150/10 > 13AH761E639 (2010) > FAHRANTRIEB, VARIATOR



E3-03858C-01