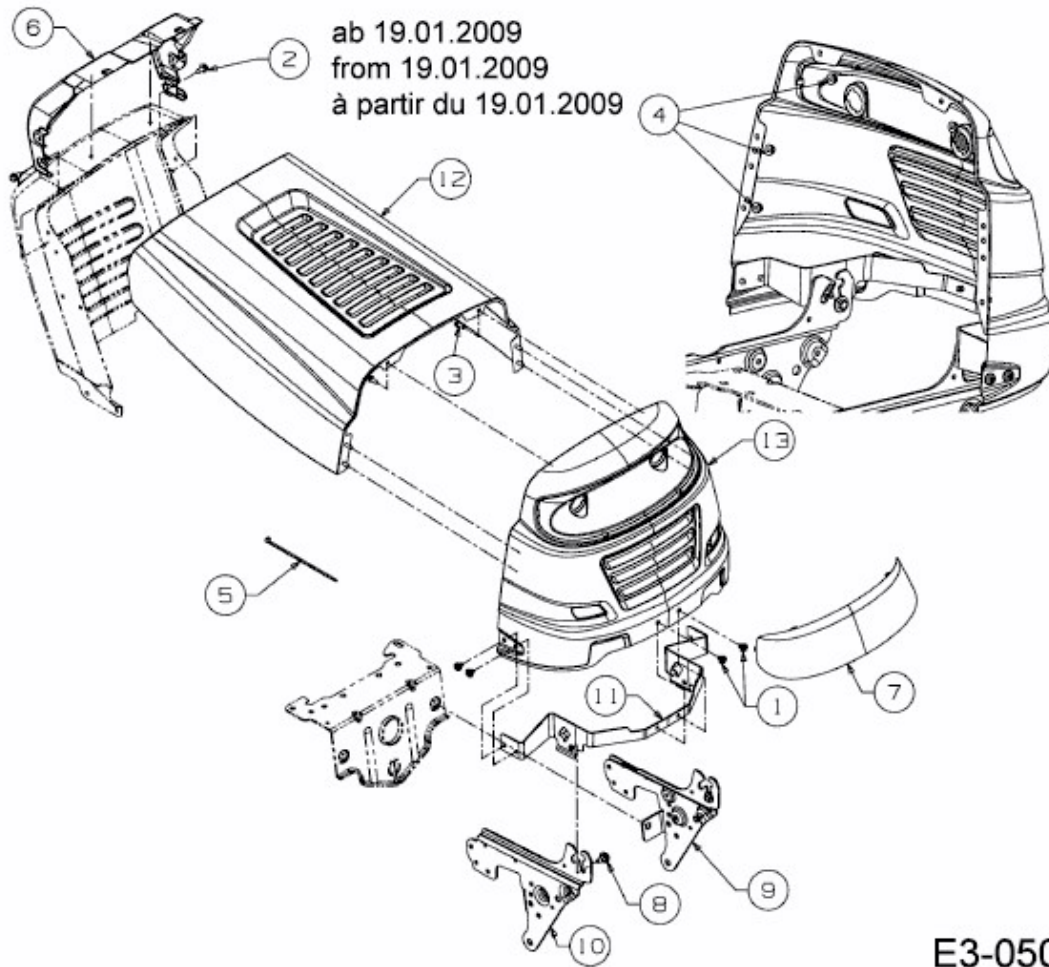


AT 1150/10 > 13AH761E639 (2010) > MOTORHAUBE 1-STYLE AB 19.01.2009



E3-05044A-01