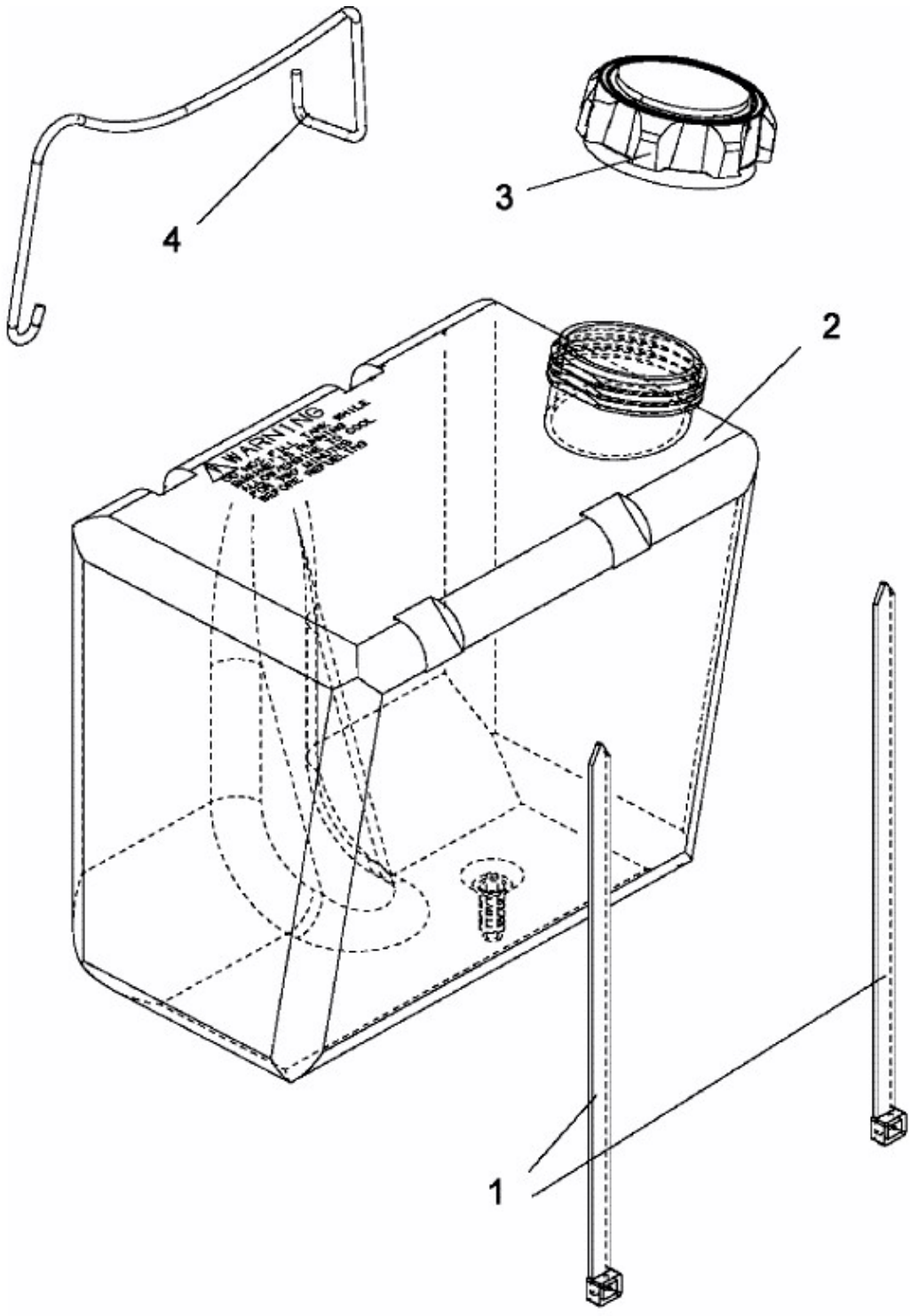


AT 100/07 > 13AH760F439 (2007) > BATTERIEHALTER, TANK



E3-02736B-01