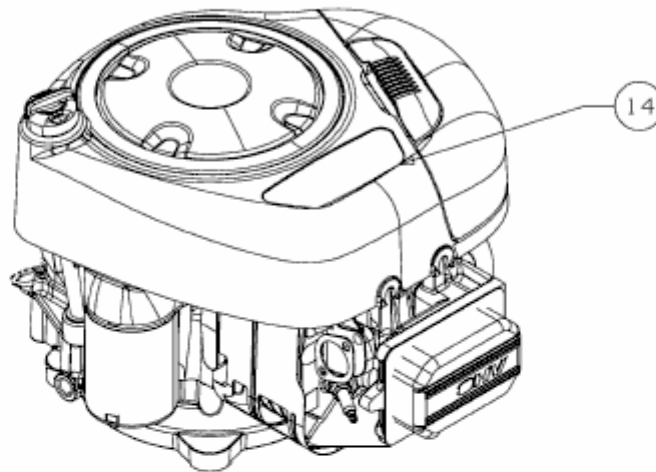


SMART RE 130 H > 13AH715E600 (2013) > MOTOR BRIGGS & STRATTON



Briggs & Stratton  
Model: 21B807  
Type: 0141-H1

E3-08302A-01