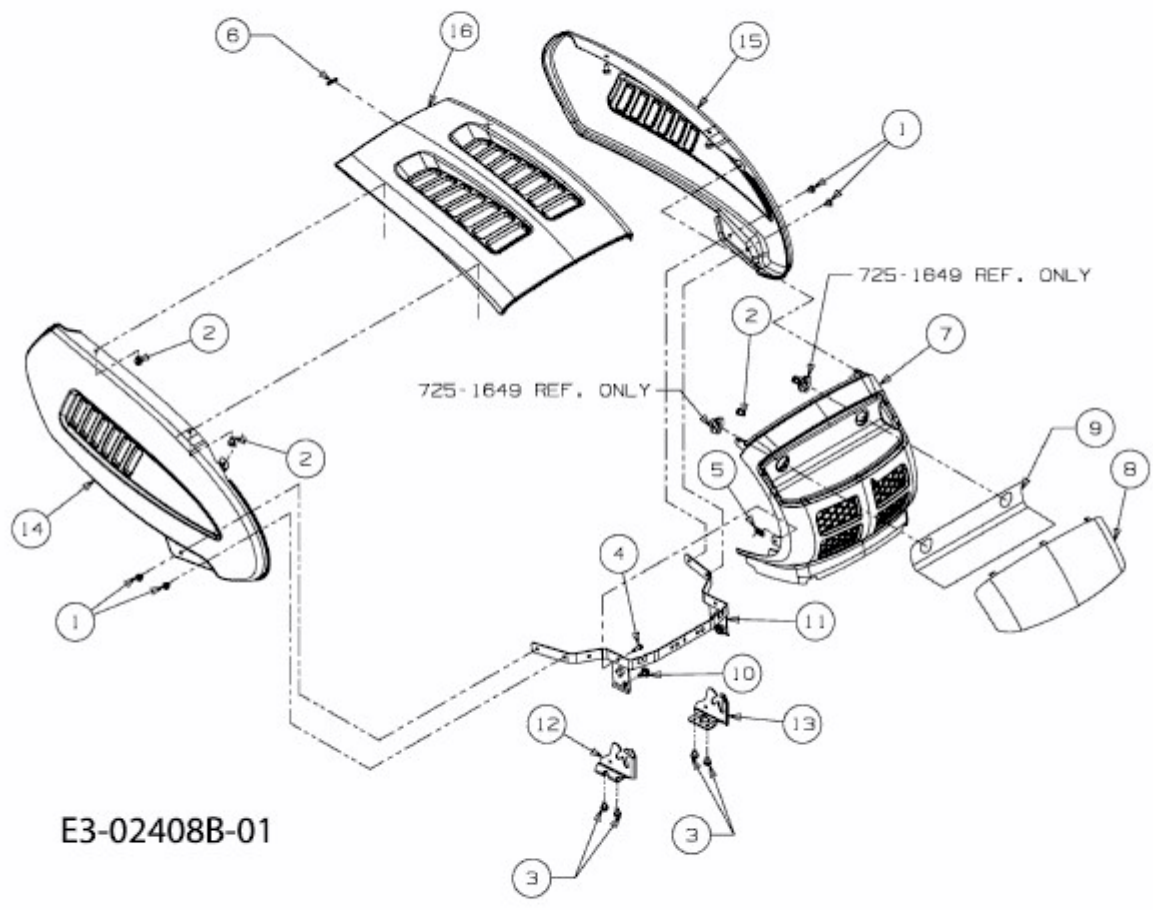


GL 13,5-92 H > 13AH493E640 (2009) > MOTORHAUBE 3-STYLE



E3-02408B-01