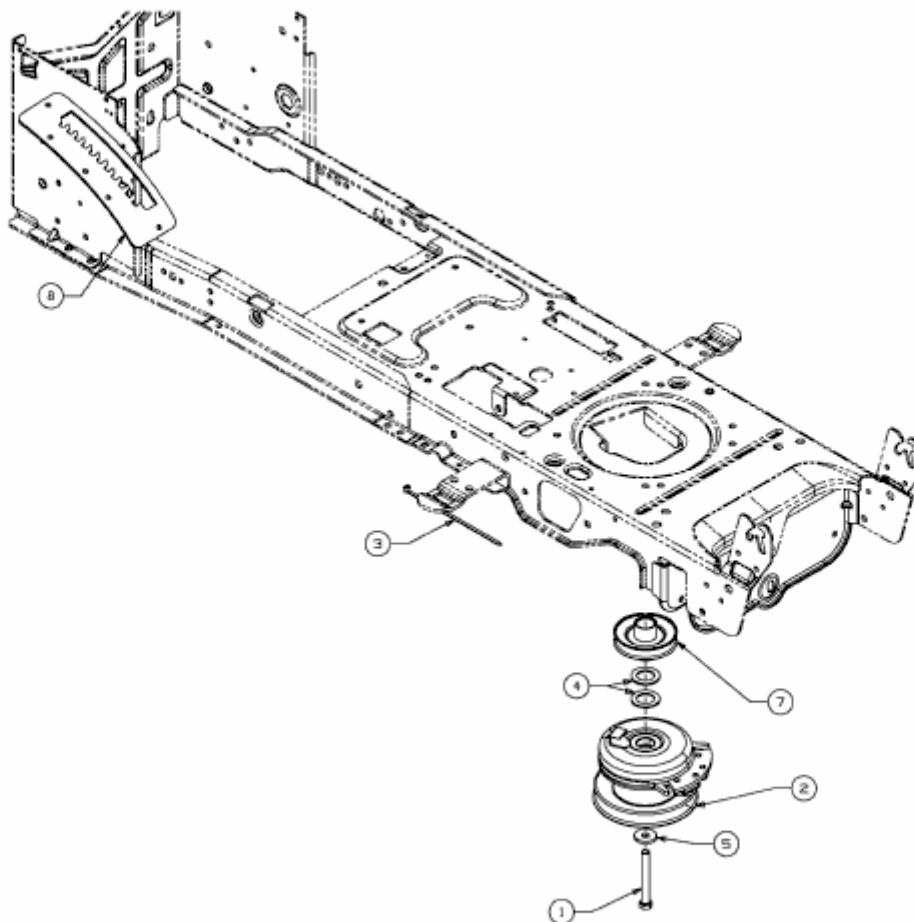


EXPERT 107.180 H > 13AG93WG650 (2014) > ELEKTROMAGNETKUPPLUNG,  
MOTORKEILRIEMENSCHNUR



E3-04594C-01