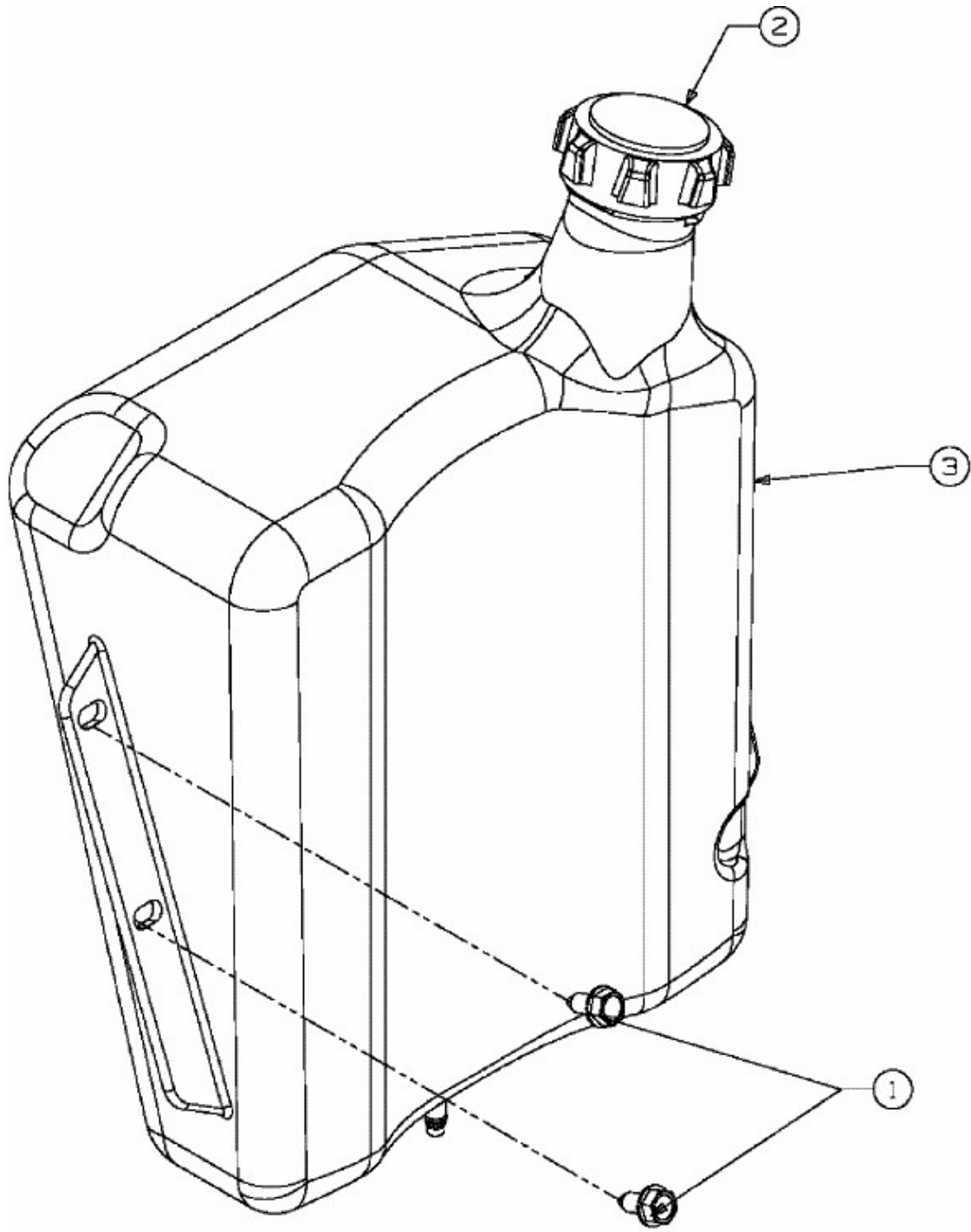


DLX 107 SHLK > 13AG616G690 (2008) > TANK 3 GAL



E3-02906A-01