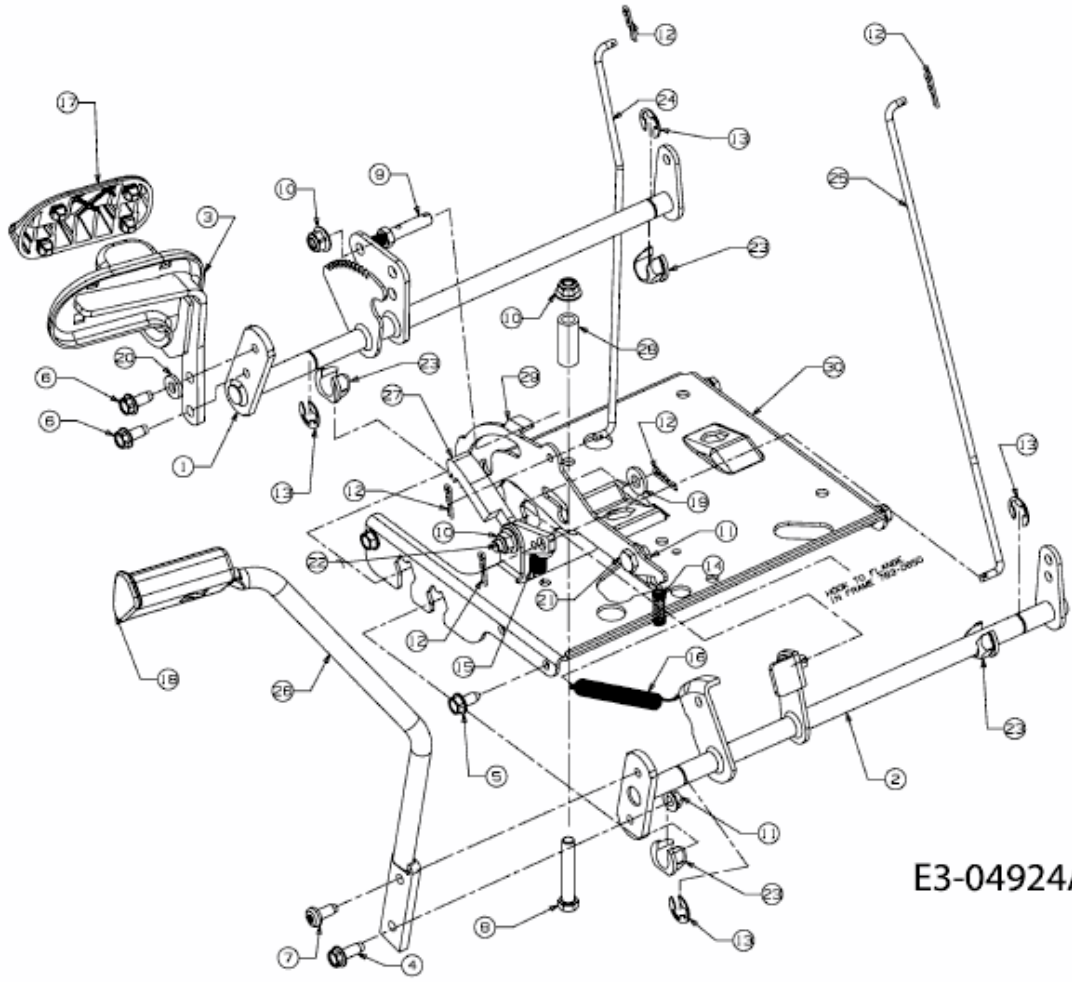


HE 5150 K > 13AG51YE643 (2009) > PEDALE



E3-04924A-01