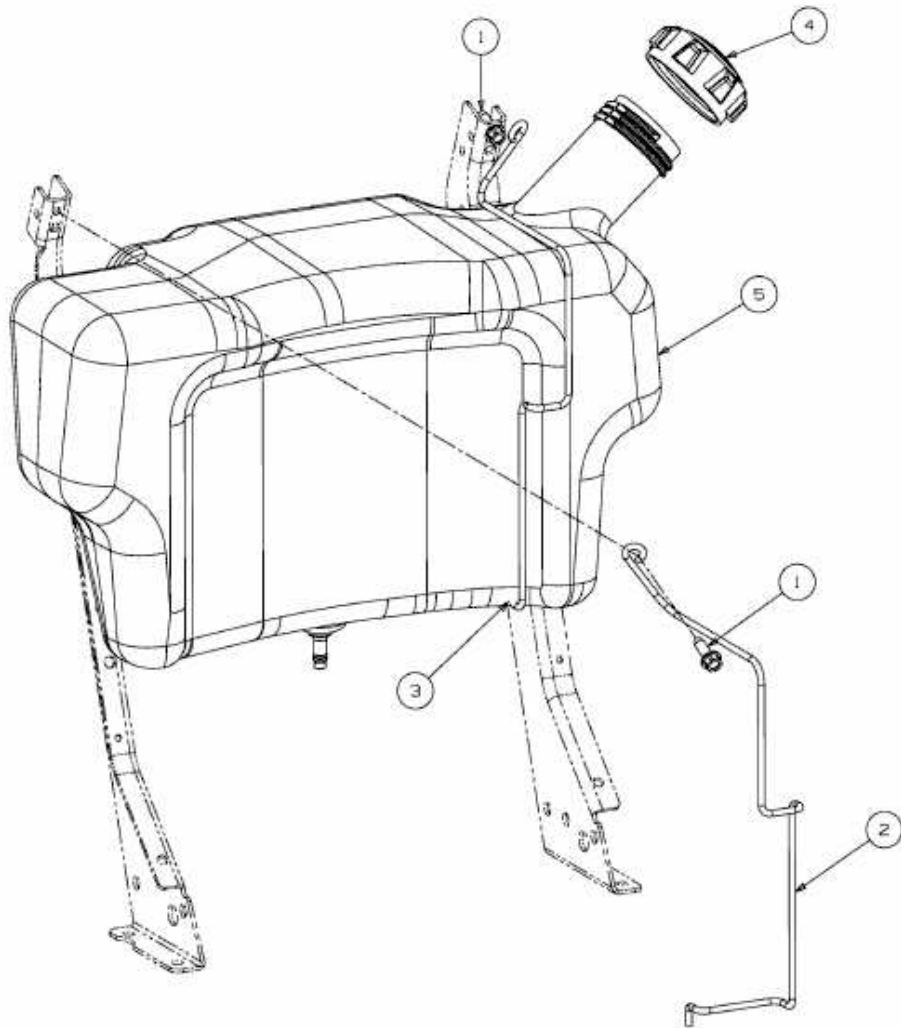


HE 5150 K > 13AG51YE643 (2009) > TANK



E3-04919A-01