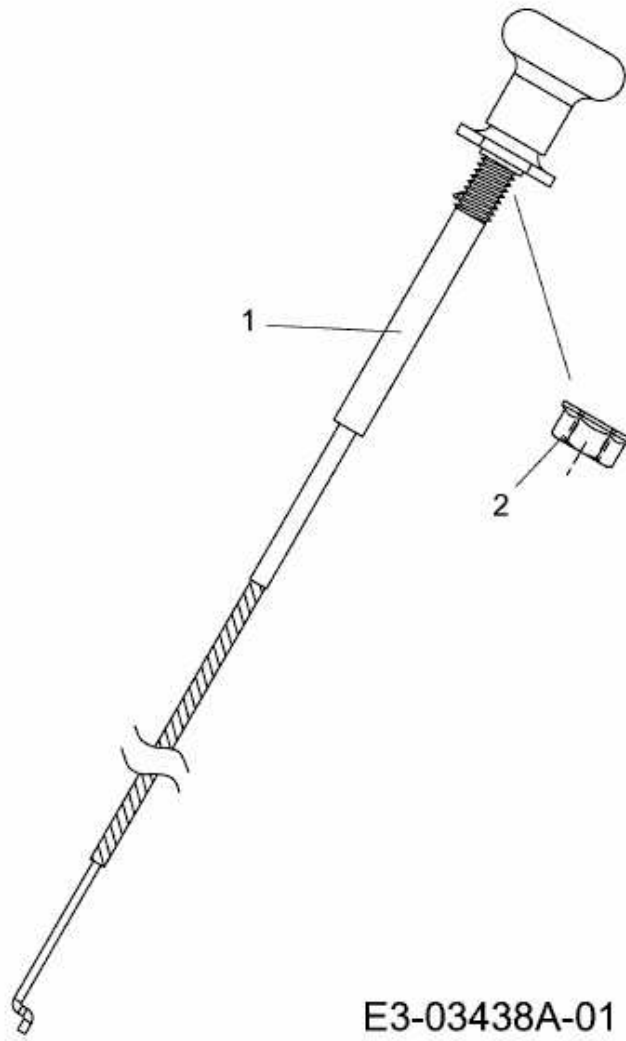


HE 5150 K > 13AG51YE643 (2009) > CHOKEZUG



E3-03438A-01