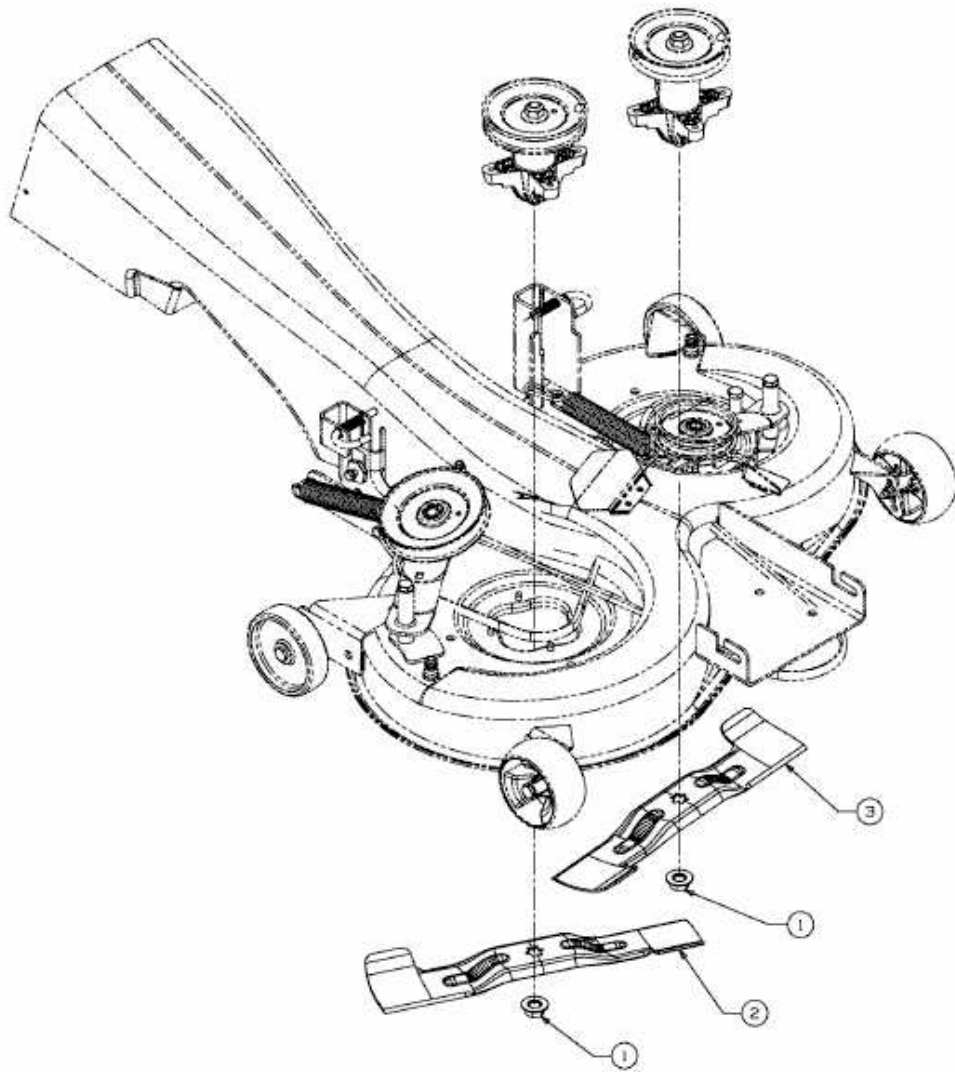


HE 5150 K > 13AG51YE443 (2009) > HIGH LIFT MESSER



E3-03075A-01