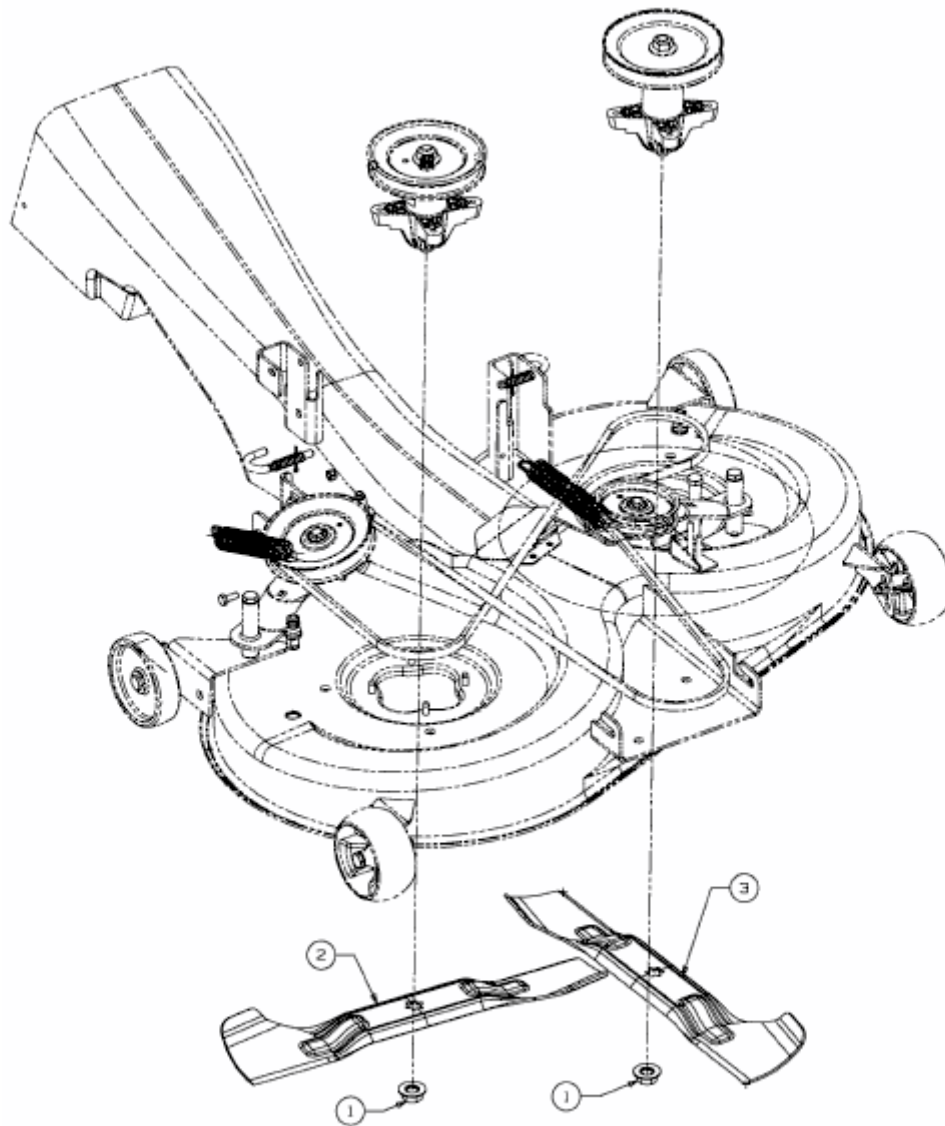


HN 5220 K > 13AF51YN443 (2009) > HIGH LIFT MESSER



E3-03077A-01