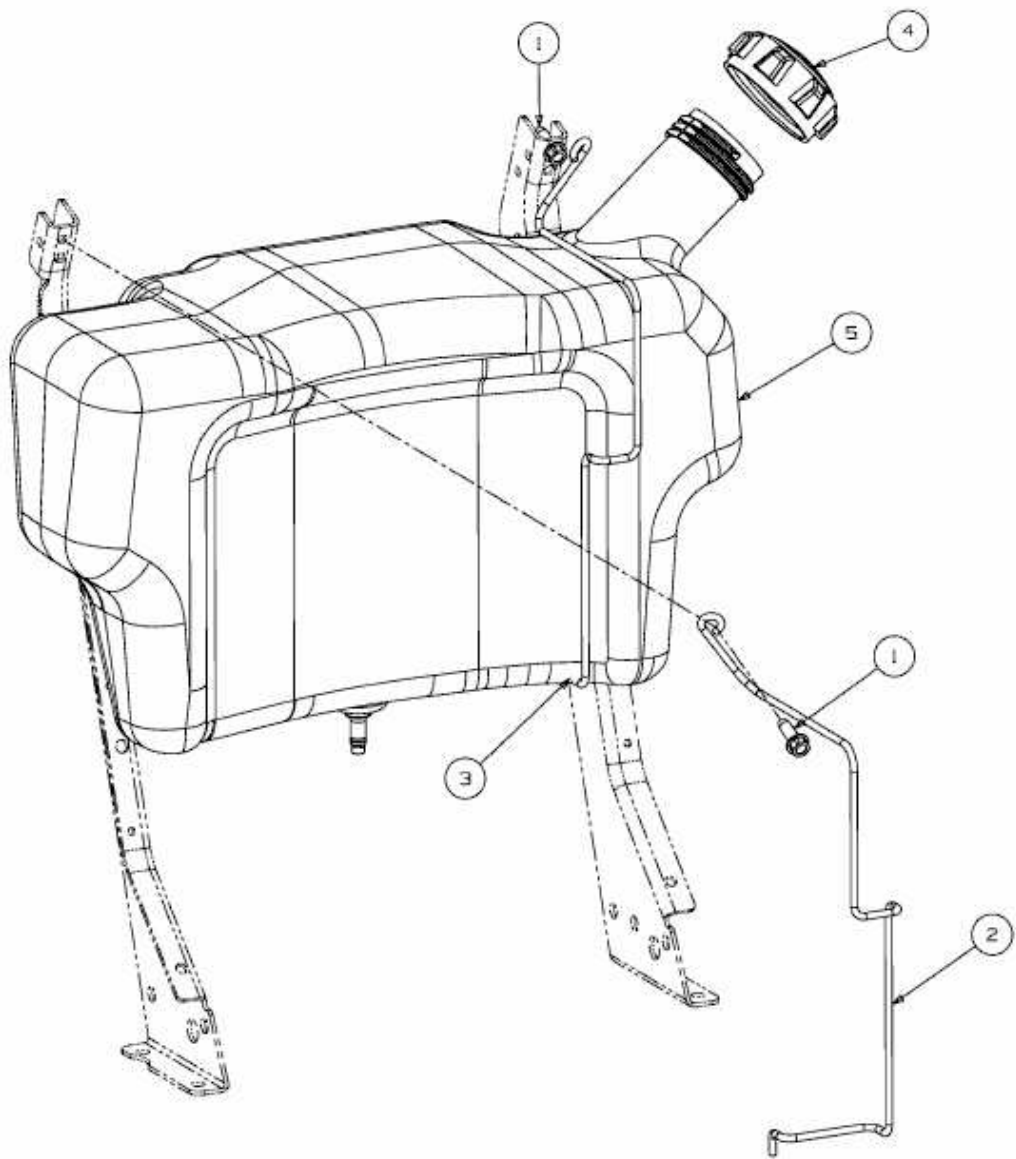


GLX 105 RHL-SK > 13AF51GN490 (2009) > TANK



E3-04919A-01