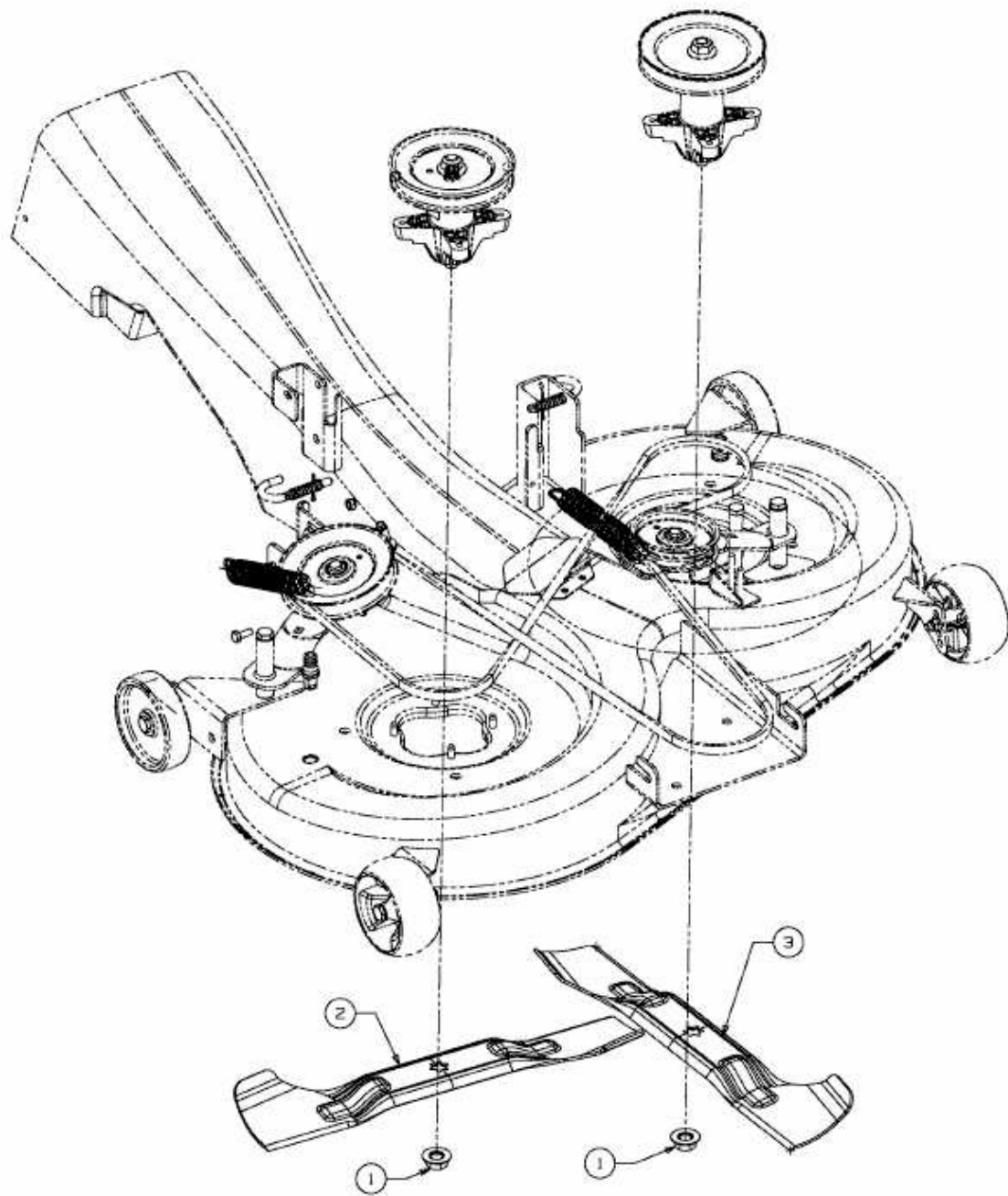


GLX 105 RHL-SK > 13AF51GN490 (2009) > HIGH LIFT MESSER



E3-03077A-01