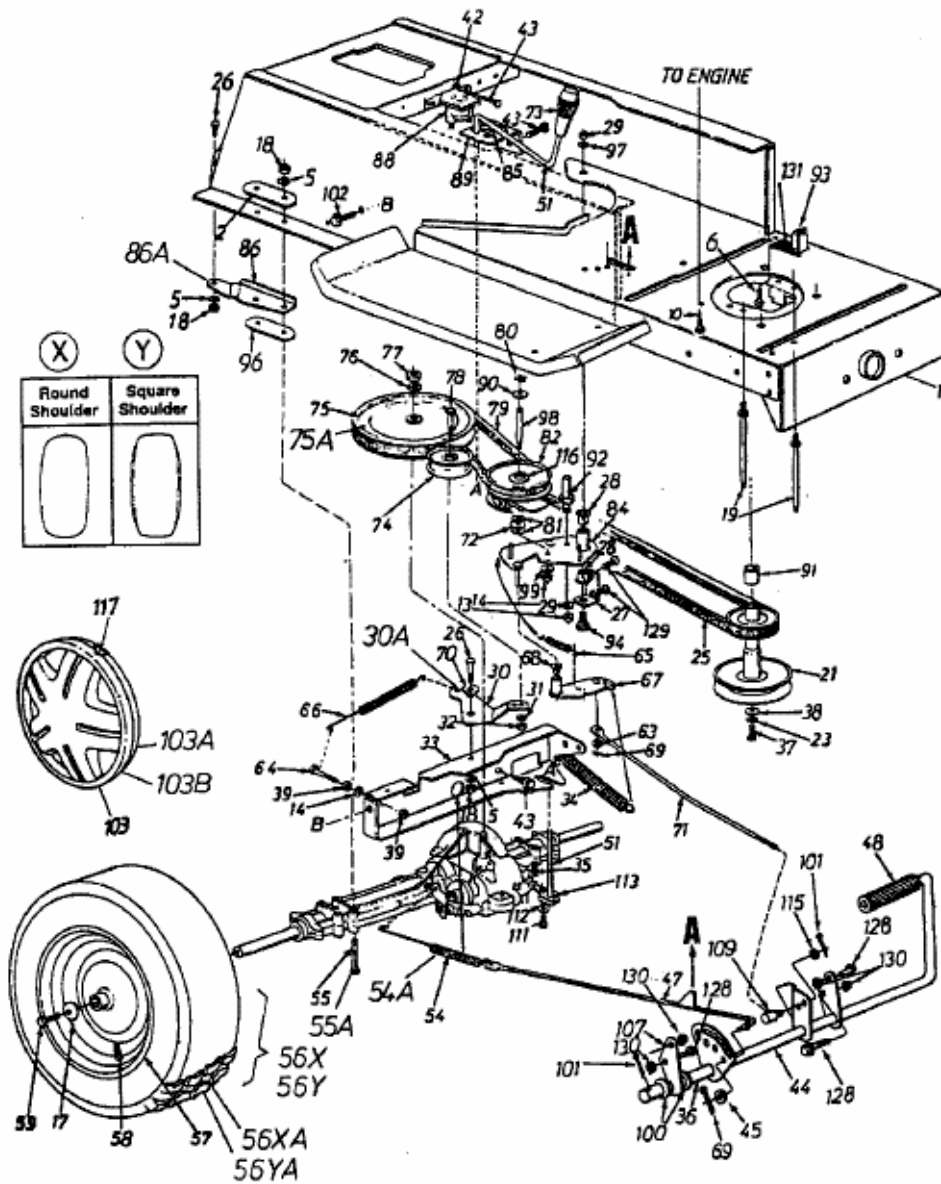


### Models 660 thru 679



**IMPORTANT:** For a proper working machine, use Factory Approved Parts.  
 V-BELTS are specially designed to engage and disengage safely. A substitute (non OEM) V-belt can be dangerous by not disengaging completely.

E4-00793 A