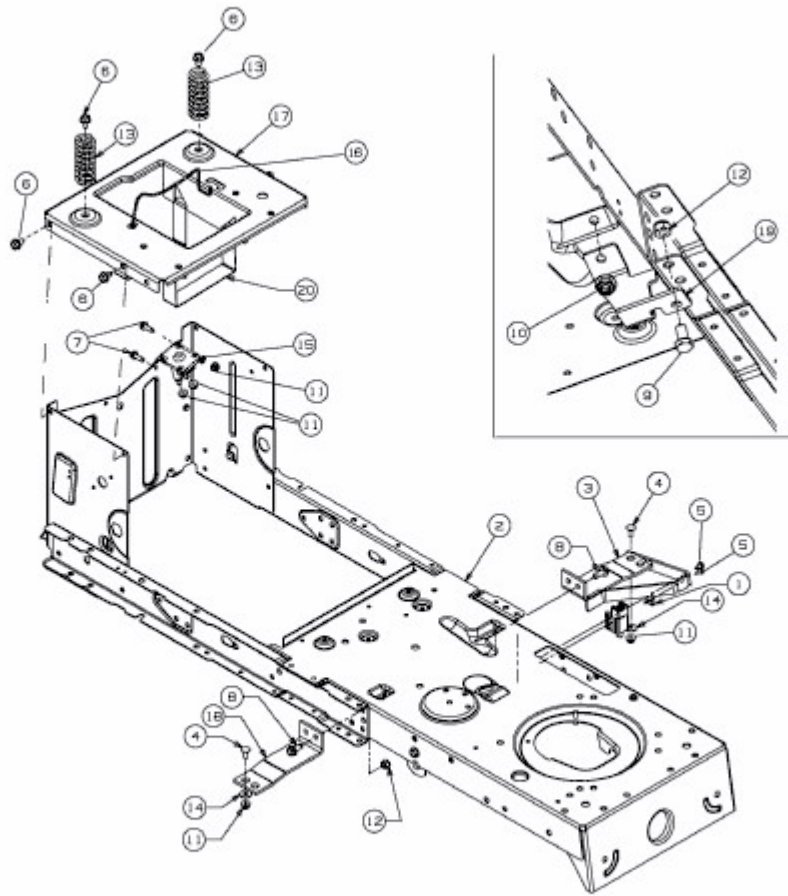


FORMULA 108/17 H > 13AD799G637 (2008) > RAHMEN



E3-02717B-01