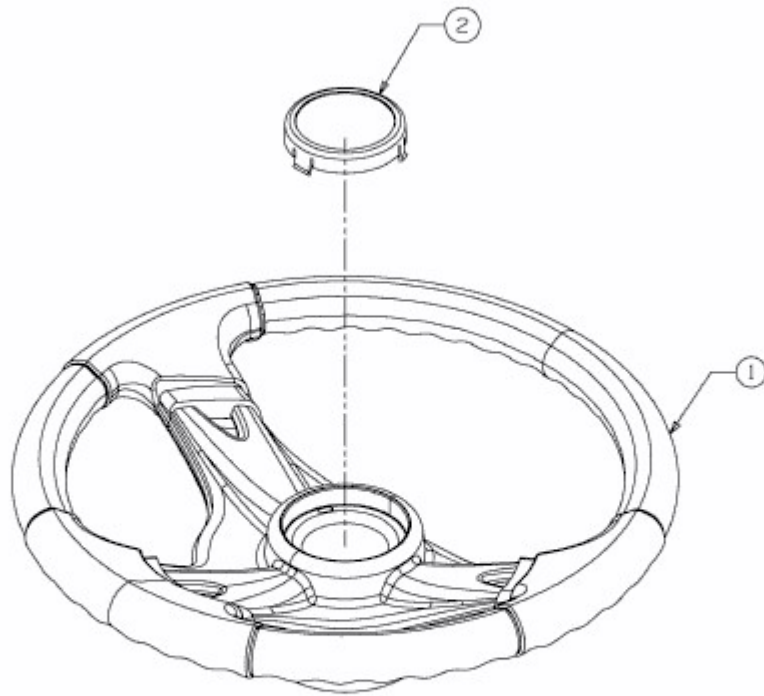


FORMULA 108/17 H > 13AD799G437 (2008) > LENKRAD



E3-02015A-01