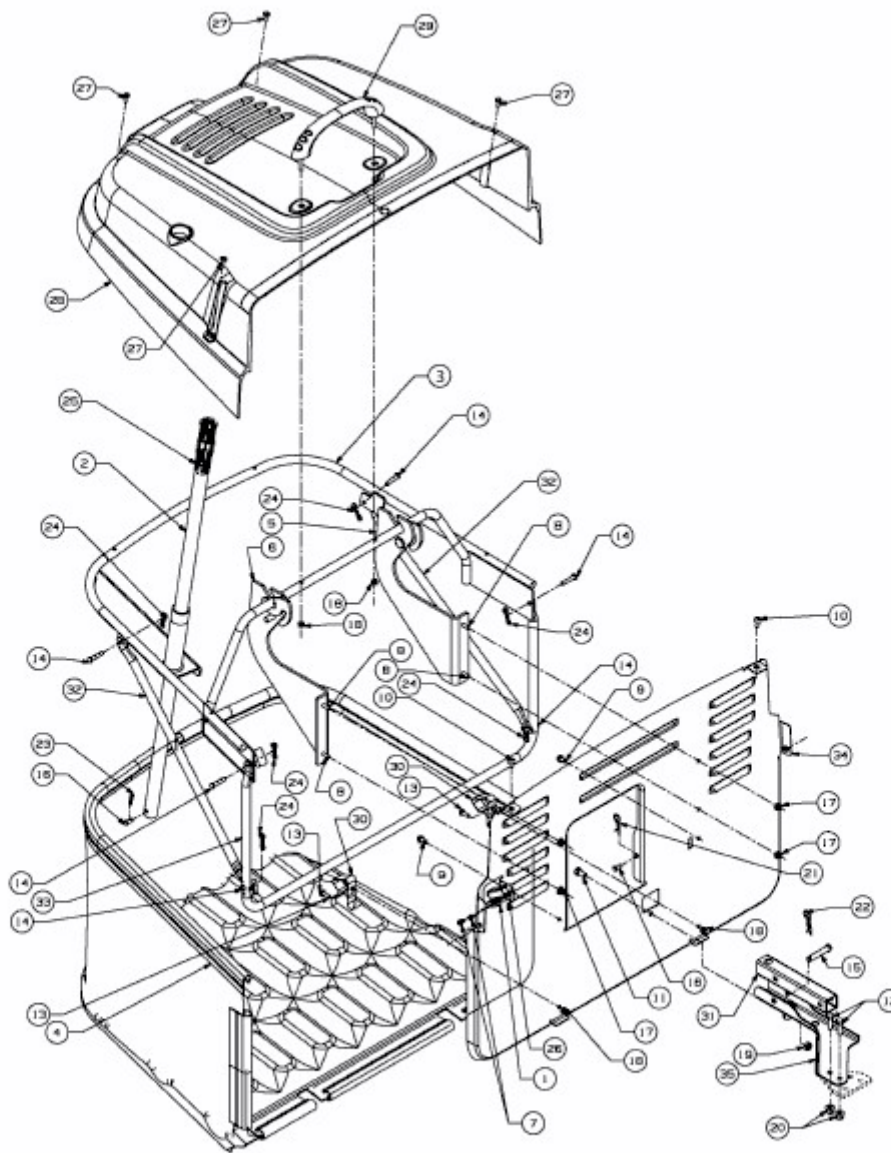


CC 715 HE > 13AD71DE603 (2012) > GRASFANGVORRICHTUNG



E3-03879B-01